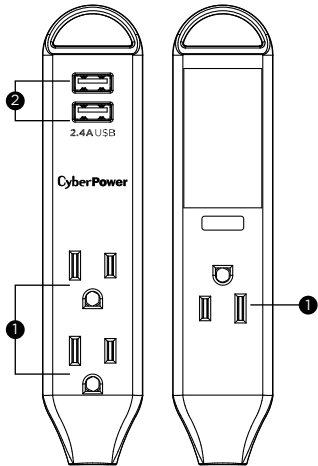


CyberPower®

3-Outlet USB Charging Cord 2-Pack

MP65SG



USER MANUAL

INSTRUCTIONS

1. Plug the device into a standard grounded wall outlet by fully inserting the plug and ensure that there are no exposed conductors.
2. Make sure electronic equipment is turned off before plugging into the device's outlets.
3. Do not use surge protectors or power strips to connect equipment to this device.

FEATURES

1. USB-A Charging Ports (2)
2. Standard Grounded Outlets (3)

SPECIFICATIONS

- Model Number: MP65SG (GC306U + GC306UGN)
- Outlets: 3 Standard Grounded Outlets
- Electrical Rating: 125 V/10 A/1250 W/60 Hz
- USB Charging Output: 5 V/2.4A shared
- Cable Length: 6 ft Braided Cord

CAUTION

TO REDUCE THE RISK OF ELECTRIC SHOCK - Use only in dry locations and only indoors. **DO NOT** plug into another relocatable power tap. **DO NOT** "daisy chain" this device. **DO NOT** use with any aquarium equipment. **DO NOT** use if properly grounded outlets are not available. **DO NOT** use for medical or life support equipment.

TECHNICAL SUPPORT

Please contact our Tech Support department with installation, troubleshooting, or general product questions.

- Phone: 1-877-297-6937
- Email: tech@cpsww.com
- Hours of Operation: Monday - Friday 7:00am - 6:00pm CST

1-YEAR LIMITED WARRANTY

For warranty information, please visit CyberPowerSystems.com

PRODUCT REGISTRATION

Prompt product registration assures coverage under the limited warranty, and also allows the opportunity of notifications for product enhancements, upgrades, and other announcements. Registration is quick and easy. Go to the Product Registration Page at CyberPowerSystems.com/registration.

CONTACT INFORMATION

Cyber Power Systems (USA), Inc.
4241 12th Avenue East, Suite 400
Shakopee, MN 55379
Toll-free: 1-877-297-6937 | CyberPowerSystems.com

CONFORMANCE APPROVAL



This device complies with Part 15 of the FCC Rules. Operation is subject to the following two conditions: (1) This device may not cause harmful interference, and (2) This device must accept any interference received, including interference that may cause undesired operation.

Changes or modifications to this unit not expressly approved by the party responsible for compliance could void the user's authority to operate the equipment. This Class B digital apparatus complies with Canadian ICES-003.

NOTE: This equipment has been tested and found to comply with the limits for a Class B digital device, pursuant to Part 15 of the FCC Rules. These limits are designed to provide reasonable protection against harmful interference in a residential installation. This equipment generates, uses and can radiate radio frequency energy and, if not installed and used in accordance with the instructions, may cause harmful interference to radio communications. However, there is no guarantee that interference will not occur in a particular installation. If this equipment does cause harmful interference to radio or television reception, which can be determined by turning the equipment off and on, the user is encouraged to try to correct the interference by one or more of the following measures:

- Reorient or relocate the receiving antenna.
- Increase the separation between the equipment and receiver.
- Connect the equipment into an outlet on a circuit different from that to which the receiver is connected.
- Consult the dealer or an experienced radio/TV technician for help.

WARNING: This product can expose you to chemicals including bisphenol A (BPA) and styrene (ABS), which is known to the State of California to cause reproductive harm and cancer. For more information, go to www.P65Warnings.ca.gov.



Please join CyberPower in caring for the environment by recycling.



This device is manufactured using environmentally-safe procedures in compliance with the Restriction of Hazardous Substances (RoHS) directive.



© 2020 Cyber Power Systems (USA), Inc. All rights reserved.
All other trademarks are the property of their respective owners.

CyberPowerSystems.com