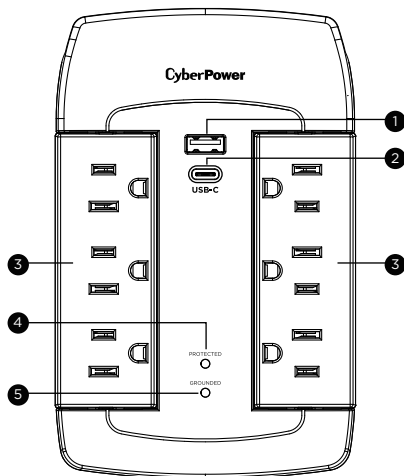


CyberPower®

6-Outlet Surge Protector with 2 USB Ports

P6WSUC

USER MANUAL



SURGE PROTECTOR INSTRUCTIONS

1. Plug the surge protector into a standard grounded wall outlet by fully inserting the plug and ensure that there are no exposed conductors.
2. Make sure electronic equipment is turned off before plugging into the surge protector outlets.
3. Do not use surge protectors or power strips to connect equipment to this surge protector.

FEATURES

1. USB-A Charging Port (1)
2. USB-C Charging Port (2)
3. Swiveling Standard Grounded Outlets (6)
4. Protected LED Indicator
Illuminated when the surge protection feature is working properly.
5. Grounded LED Indicator
Illuminated when the ground protection feature is working properly.

SPECIFICATIONS

- Model Number: P6WSUC
- Outlets: Swiveling Standard Grounded Outlets (6), USB Charging Ports (2)
- Surge Protection: 1500 Joules
- Electrical Rating: 125 V/15 A/1875 W/60 Hz
- USB-A Charging Output: 5 V/2.4A
- USB-C Charging Output: 5 V/15 W
- UL Clamping Voltage : UL 1449/600 V

CAUTION

TO REDUCE THE RISK OF ELECTRIC SHOCK - Use only in dry locations and only indoors. **DO NOT** plug into another relocatable power tap. **DO NOT** "daisy chain" surge protectors. **DO NOT** use with any aquarium equipment. **DO NOT** use if properly grounded outlets are not available. **DO NOT** install this device if there is less than 10 meters (30 feet) or more of wire between the electrical outlet and electrical service panel. **DO NOT** use for medical or life support equipment. This device features an internal protection that will disconnect the surge protective component at the end of its useful life, but it will maintain unprotected power to the load.

TROUBLESHOOTING

- If the protected indicator does not light, the surge protector's AC lines are no longer protected from surge. The surge protector may have received a power surge or spike beyond its specified limits that overloaded the protection circuitry and rendered it inactive. The surge protector has protected your connected equipment as designed, but it will not protect against future surges, and spikes. It should be replaced.
- If the grounded indicator does not light when you plug in the surge protector, move the surge protector to a different grounded three-prong AC outlet. If it still does not light, return the product to the retailer for assistance. If the surge protector appears to be working properly, your outlets may not be properly grounded and need to be repaired by a professional electrician. If the grounded indicator turns off after a period of use, the surge protection has been depleted. Replace your surge protector.

TECHNICAL SUPPORT

Please contact our Tech Support Department with installation, troubleshooting, or general product questions.

- Phone: 1-877-297-6937
- Email: tech@cpsww.com
- Hours of Operation: Monday – Friday
7:00am – 6:00pm CST

LIFETIME LIMITED WARRANTY

\$150,000 Connected Equipment Guarantee
For warranty and connected equipment guarantee information, please visit CyberPowerSystems.com

PRODUCT REGISTRATION

Prompt product registration assures coverage under the limited warranty, and also allows the opportunity of notifications for product enhancements, upgrades, and other announcements.

Registration is quick and easy. Go to the Product Registration Page at CyberPowerSystems.com/registration.

CONTACT INFORMATION

Cyber Power Systems (USA), Inc.
4241 12th Avenue East, Suite 400
Shakopee, MN 55379
Toll-free: 1-877-297-6937 | CyberPowerSystems.com

CONFORMANCE APPROVALS



This device complies with Part 15 of the FCC Rules. Operation is subject to the following two conditions: (1) this device may not cause harmful interference, and (2) this device must accept any interference received, including interference that may cause undesired operation.

This equipment has been tested and found to comply with the limits for a Class B digital device, pursuant to Part 15 of the FCC Rules. These limits are designed to provide reasonable protection against harmful interference in a residential installation. This equipment generates, uses, and can radiate radio frequency energy and, if not installed and used in accordance with the instructions, may cause harmful interference to radio communications.

However, there is no guarantee that interference will not occur in a particular installation. If this equipment does cause harmful interference to radio or television reception, which can be determined by turning the equipment off and on, the user is encouraged to try to correct the interference by one or more of the following measures:

- Reorient or relocate the receiving antenna.
- Increase the separation between the equipment and receiver.
- Connect the equipment into an outlet on a circuit different from that to which the receiver is connected.
- Consult the dealer or an experienced radio/TV technician for help.

WARNING: Changes or modifications not expressly approved by the party responsible for compliance could void the user's authority to operate the equipment.

 **WARNING:** This product can expose you to chemicals including Styrene, which are known to the State of California to cause cancer, and Bisphenol A (BPA), which are known to the State of California to cause birth defects or other reproductive harm.

For more information, go to www.P65Warnings.ca.gov.



Please join CyberPower in caring for the environment by recycling.



This device is manufactured using environmentally-safe procedures in compliance with the Restriction of Hazardous Substances (RoHS) directive.



UL Listed to U.S. and Canadian Safety Standards UL 1449. This product is listed to applicable U.S. and Canadian safety standards by Underwriters Laboratories Inc.

