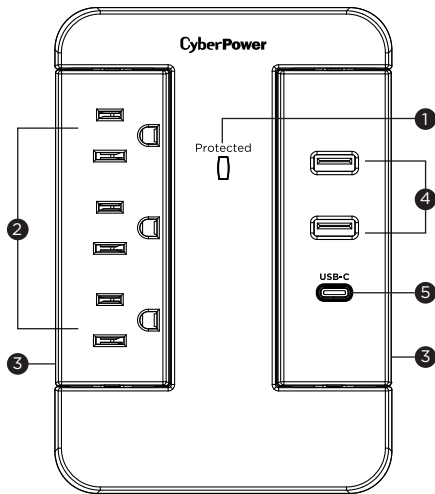


CyberPower®

3-Outlet Surge Protector with 3 USB Ports P3WSUC



USER MANUAL

FEATURES

1. Protected LED Indicator
Illuminated when the surge protection feature is working properly.
2. Standard Grounded Outlets (3)
3. Pivoting Outlets
Pivoting outlets for ease of use and convenience.
4. USB-A Charging Ports (2)
5. USB-C Charging Port

SPECIFICATIONS

- Model Number: P3WSUC
- Outlets: Standard Grounded Outlets (3), USB Charging Ports (3)
- Surge Protection: 1,500 Joules
- Electrical Rating: 125 V/15 A/1875 W
- USB Charging Output: 5 V/3.6A total
- UL Clamping Voltage: UL 1449 4th/600 V (L-N, L-G, N-G)
- Maximum Peak Current: 45,000 A
- 3 AC Lines Protected:
 - L-N: 15,000 A
 - L-G: 15,000 A
 - N-G: 15,000 A
- Response Time: Less than 1 nanosecond

CAUTION

TO REDUCE THE RISK OF ELECTRIC SHOCK - Use only in dry locations and only indoors. **DO NOT** plug into another relocatable power tap. **DO NOT** "daisy chain" surge protectors. **DO NOT** use with any aquarium equipment. **DO NOT** use if properly grounded outlets are not available. **DO NOT** install this device if there is less than 10 meters (30 feet) or more of wire between the electrical outlet and electrical service panel. **DO NOT** use for medical or life support equipment. This device features an internal protection that will disconnect the surge protective component at the end of its useful life, but it will maintain unprotected power to the load.

TROUBLESHOOTING

- If the protected indicator does not light, the surge protector's AC lines are no longer protected from surge. The surge protector may have received a power surge or spike beyond its specified limits that overloaded the protection circuitry and rendered it inactive. The surge protector has protected your connected equipment as designed, but it will not protect against future surges, and spikes. It should be replaced.

TECHNICAL SUPPORT

Please contact our Tech Support Department with installation, troubleshooting, or general product questions.

- Phone: 1-877-297-6937
- Email: tech@cpswww.com
- Hours of Operation: Monday - Friday 7:00am - 6:00pm CST

LIFETIME LIMITED WARRANTY

\$100,000 Connected Equipment Guarantee

For warranty and connected equipment guarantee information, please visit CyberPowerSystems.com

PRODUCT REGISTRATION

Prompt product registration assures coverage under the limited lifetime warranty, and also allows the opportunity of notifications for product enhancements, upgrades, and other announcements.

Registration is quick and easy. Go to the Product Registration Page at CyberPowerSystems.com/registration.

CONTACT INFORMATION

Cyber Power Systems (USA), Inc.
4241 12th Avenue East, Suite 400
Shakopee, MN 55379

Toll-free: 1-877-297-6937 | CyberPowerSystems.com

CONFORMANCE APPROVALS



This device complies with Part 15 of the FCC Rules. Operation is subject to the following two conditions: (1) this device may not cause harmful interference, and (2) this device must accept any interference received, including interference that may cause undesired operation.

Warning: Changes or modifications to this unit, not expressly approved by the party responsible for compliance, could void the user's authority to operate the equipment.

CAN ICES-3(B)/NMB-3(B)

NOTE: This equipment has been tested and found to comply with the limits for a Class B digital device, pursuant to Part 15 of the FCC Rules. These limits are designed to provide reasonable protection against harmful interference in a residential installation. This equipment generates, uses, and radiates radio frequency energy. If not installed and used in accordance with the instructions, may cause harmful interference to radio communications. However, there is no guarantee that interference will not occur in a particular installation. If this equipment does cause harmful interference to radio or television reception, the user is encouraged to try to correct the interference by one or more of the following measures:

- Reorient or relocate the receiving antenna.
- Increase the separation between the equipment and receiver.
- Connect the equipment into an outlet on a circuit different from that to which the receiver is connected.
- Consult the dealer or an experienced radio/TV technician for help.

WARNING: This product can expose you to chemicals including bisphenol A (BPA) and styrene (ABS), which is known to the State of California to cause reproductive harm and cancer.
For more information, go to www.P65Warnings.ca.gov.



Please join CyberPower in caring for the environment by recycling.



This device is manufactured using environmentally-safe procedures in compliance with the Restriction of Hazardous Substances (RoHS) directive.



UL Listed to U.S. and Canadian Safety Standards UL 1449. This product is listed to U.S. and Canadian safety standards by Underwriters Laboratories Inc.



© 2020 Cyber Power Systems (USA), Inc. All rights reserved.
All other trademarks are the property of their respective owners.

CyberPowerSystems.com