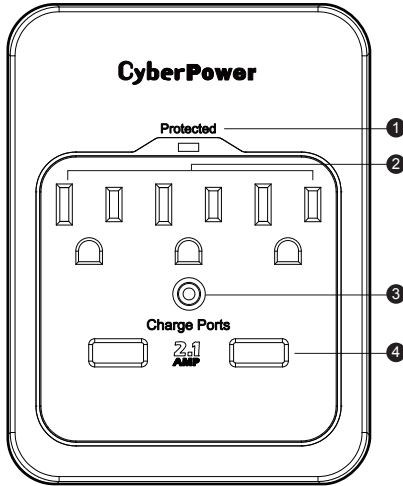


**5-Outlet Surge Protector
(3 AC & 2 USB ports)**

P300WURC2



User Manual

CONGRATULATIONS ON YOUR PURCHASE

Thank you for selecting the CyberPower P300WURC2 Surge Protector. The information contained in this manual explains the features and operation of the P300WURC2. Please take a few moments to read this document.

FEATURES

1. **Surge Protected Indicator**
Illuminated when the surge protection is working properly.
2. **Three Standard Outlets.**
3. **Optional Anchoring Screw**
4. **USB Charging Ports***
Connect and charge up to two (2) USB devices using the surge protected USB charging ports.
*USB outlets cannot be used as a USB hub. This device does not transfer data.

SPECIFICATIONS

- Model Number: P300WURC2
- Outlets: 3 Standard Outlets
- Surge Protection: 600 Joules
- Electrical Rating: 125V/15A/1875W
- USB charger rating: 5V/2.1A total
- UL Clamping Voltage: UL 1449 3rd/400V (L-N , L-G)
- Maximum Peak Current: 30,000A
- 2 AC Lines Protected: L-N:15,000A, L-G:15,000A;
(The maximum surge possible on household Wiring is 6,000 volts)
- Response Less than 1 nanosecond
- Attenuation: Up to 32dB
- EMI/RFI Filtration: 150 kHz to 100 MHz

CAUTION

TO REDUCE THE RISK OF ELECTRIC SHOCK - Use only in dry locations and only indoors. **DO NOT** plug into another relocatable power tap. **DO NOT** "daisy chain" surge protectors. **DO NOT** use with any aquarium equipment. **DO NOT** use if properly grounded outlets are not available. **DO NOT** install this device if there is not at least 10 meters (30 feet) or more of wire between the electrical outlet and electrical service panel. This device features an internal protection that will disconnect the surge protective component at the end of its useful life, but will maintain power to the load - now unprotected.

TROUBLESHOOTING

If the Protected indicator does not light, the surge protector's AC line is no longer protected from surge. Replace the surge protector. The surge protector may have received a power surge or spike beyond its specified limits that overloaded the protection circuitry and rendered it inactive. The surge protector has protected your connected equipment but it will not protect against future surges and spikes.

TECHNICAL SUPPORT

Please contact our Tech Support department with installation, troubleshooting, or general product questions.

- Phone: 1-877-297-6937
- Email: tech@cpsww.com
- Hours of Operation: Monday – Friday, 8:00am – 5:00pm CST

LIMITED WARRANTY AND CONNECTED EQUIPMENT GUARANTEE

Read the following terms and conditions carefully before using the CyberPower P300WURC2 (the "CPS Product"). By using the CPS Product, you consent to be bound by the terms and conditions of this Limited Warranty and Connected Equipment Guarantee (together referred to as this "Warranty"). **IF YOU DO NOT AGREE TO THE TERMS AND CONDITIONS OF THIS WARRANTY, YOU SHOULD RETURN THE PRODUCT FOR A FULL REFUND PRIOR TO USING IT.**

Who is providing this Warranty, what does it cover?

CyberPower Systems (USA), Inc. ("CyberPower") provides this Limited Warranty. It only covers the original purchaser and ends if you no longer own the CPS Product. This warranty covers defects in materials and workmanship in the CPS Product under normal use and conditions. It also covers equipment connected to the CPS Product and damaged because of the failure of the CPS Product. This warranty covers the CPS Product and connected equipment for as long as you own the CPS Product.

What must I do to make a warranty claim?

1. Call (877) 297-6937 or write to CyberPower, 4241 12th Ave. E., STE 400, Shakopee, MN 55379 or send a message at claims@cpsww.com for instructions.
2. Identify the Product, the Purchase Date, and the item(s) of Connected Equipment.
3. Provide a dated Proof-of-Purchase receipt (or other proof of the original purchase) and provide a description of the defect.
4. Pack and ship the product to CyberPower and, if requested, the item(s) of Connected Equipment, and all claim forms that CyberPower provides to you. Show the Claim Number on the shipping label or include it with the product. **You must prepay all shipping costs, you are responsible for packaging and shipment, and you must pay the cost of the repair estimate.**
5. Do each of these within ten days of the occurrence.

What will CyberPower do to correct problems?

CyberPower will inspect and examine the CPS Product. If the CPS Product is defective in material or workmanship, CyberPower will repair or replace it at CyberPower's expense, or CyberPower will refund the full purchase price you paid for the CPS Product (purchase receipt showing price paid is required).

If the CPS Product failed to protect any equipment plugged into it, we will also send you forms for making your claim for the connected equipment. We will repair or replace the equipment that was damaged because of the failure of the CPS Product or pay you the fair market value (NOT REPLACEMENT COST) of the equipment at of the time of the damage. We will use Orion Blue Book, another a third-party valuation guide, eBay, craigslist, or other source to establish that amount. Our maximum liability is limited to \$50,000 for the P300WURC2.

Who pays for shipping?

We pay when we send items to you; you pay when you send items to us.

What are some things this Warranty does not cover?

1. **THIS WARRANTY DOES NOT COVER ANY SOFTWARE THAT WAS DAMAGED OR NEEDS TO BE REPLACED DUE TO THE FAILURE OF THE CPS PRODUCT OR ANY DATA THAT IS LOST AS A RESULT OF THE FAILURE OR THE RESTORATION OF DATA OR RECORDS, OR THE REINSTALLATION OF SOFTWARE.**
2. This Warranty does not cover: misuse, modification, operation or storage outside environmental limits of the CPS Product or the equipment connected to it, or for damage while in transit or in storage, nor if there has been improper operation or maintenance, or use with items not designed or intended for use with the CPS Product, such as laser printers, appliances, aquariums, medical or life support devices, etc.

What are the other limitations?

The sole and exclusive remedies of the Initial Customer are those provided by this Warranty.

1. This Warranty does not apply unless the CPS Product and the connected equipment were connected to properly wired and grounded outlets (including compliance with electrical and safety codes of the most current electrical code), without the use of any adapters or other connectors.
2. The CPS Product must have been plugged directly into the power source and the equipment connected to the CPS Product must be directly connected in the CPS Product, not "daisy-chained" together in serial fashion with any extension cords, another Product or device similar to the CPS Product, surge suppressor, or power tap. Any such installation voids the Warranty.

3. The CPS Product and connected equipment must have been used properly in a suitable and proper environment, in conformance with any applicable license, instruction manual, or warnings.
4. The CPS Product must have been used at all times within the limitations on the CPS Product's VA capacity.

Where can I get more information?

Contact CyberPower at 4241 12th Ave E., STE 400, Shakopee, MN 55379; call us at (877) 297-6937; or send us an e-mail message at claims@cpsww.com.

PRODUCT REGISTRATION

Prompt product registration assures coverage under the Limited Warranty, and also allows the opportunity to be notified of product enhancements, upgrades, and other announcements.

Registration is quick and easy at www.cpsww.com/register.

CONTACT INFORMATION

CyberPower Systems, Inc.
4241 12th Avenue East Suite 400 Shakopee, MN 55379
Toll-free: 1-877-297-6937 | CPSww.com

CONFORMANCE APPROVALS



This device complies with Part 15 of the FCC Rules. Operation is subject to the following two conditions:
1. This device may not cause harmful interference, and
2. This device must accept any interference received, including interference that may cause undesired operation.
Changes or modifications not expressly approved by the party responsible for compliance could void the user's authority to operate the equipment. This Class B digital apparatus complies with Canadian ICES-003.
Note: These limits are designed to provide reasonable protection against harmful interference in a residential installation. This equipment generates, uses and can radiate radio frequency energy and, if not installed and used in accordance with the instructions, may cause harmful interference to radio communications. However, there is no guarantee that interference will not occur in a particular installation. If this equipment does cause harmful interference to radio or television reception, which can be determined by turning the equipment off and on, the user is encouraged to try to correct the interference by one or more of the following measures: Reorient or relocate the receiving antenna. Increase the separation between the equipment and receiver.
Connect the equipment into an outlet on a circuit different from that to which the receiver is connected. Consult the dealer or an experienced radio/TV technician for help.
This device is manufactured using environmentally-safe procedures in compliance with the Restriction on Hazardous Substances (RoHS) directive.



Please join CyberPower in caring for the environment by recycling this manual.



This device is manufactured using environmentally-safe procedures in compliance with the Restriction on Hazardous Substances (RoHS) directive.