



User's Manual

OL1000XL

OL1500XL

OL2200XL

OL3000XL

CyberPower Systems (USA), Inc.

4241 12th Avenue East Suite 400 Shakopee, MN 55379

Phone: 877-297-6937

Fax: 952-403-0009

www.CPSww.com

K01-0000356-00

重要安全警語

本手冊包含重要的操作說明，應遵循安裝並維護 UPS 和電池。請仔細閱讀並遵守所有的安裝指引與警示。安裝前需仔細閱讀本手冊再進行安裝與操作。

- 注意！ UPS 須接到具地線的電源插座，並有保險絲或斷路器等過電流保護器。
- 注意！ 如需關閉連接到 UPS 的設備時，請先關閉 UPS 電源再拔掉插頭。
- 注意！ 不得使用在醫療或生命維護設備！ CyberPower 並不銷售產品在生命維護或醫療應用上，任何影響生命維護、醫療應用或病人護理等皆不得使用。
- 注意！ 在 UPS 電池模式下，電池接頭斷開可以切斷危險的帶電元件。
- 注意！ 為了防止火災或觸電危險，UPS 需安裝在溫度和濕度合理控制下的室內環境。(請參閱規格可接受的溫度和濕度範圍)。
- 注意！ 為了減少觸電危險，勿取下上蓋。除電池可替換外，內部無其他可供使用者維修的零件。
- 注意！ 為了避免觸電危險，在更換電池或作為電腦設備備用電源前，請先關閉 UPS 電源開關。
- 注意！ 不得使用在水族箱或相關水源設備上！為降低發生火災的風險，任何有潛在水源處皆不得使用，如壓縮機冷凝水會導致機器短路起火。
- 注意！ 交流輸出電纜使用長度不得超過 10 米。
- 注意！ 電池有可能會產生相當大的短路電流，所以在對電池進行更換或維修時，請務必採取以下措施，並由經授權的合格專業人員進行維護。
 1. 取下身上的手表、戒指、項鍊或其他金屬物品。
 2. 使用具有絕緣握把的工具。
- 注意！ UPS 電池可產生能源。在 UPS 的輸入沒有連接至交流電源時，其輸出插座可能帶有電壓。
- 注意！ UPS 開啟時，請勿拔下輸入線。這會使 UPS 及其連接設備的安全接地失效。
- 注意！ 為了防止觸電，在安裝輸入線及輸出線時，請先關閉交流電源及 UPS。並請優先配接安全接地的部分。
- 注意！ 為了防止火災，在安裝輸入線及輸出線時，請使用正確尺寸的電源線。並由經授權的合格專業人員安裝。
- 注意！ 為了防止爆炸，請勿將電池丟入火中。
- 注意！ 不要打開或毀壞電池，釋出的電解液對皮膚和眼睛是有害的。
- 注意！ 不要阻塞 UPS 前後左右的外殼通風口。
- 注意！ 不要連接家用電器如吹風機到 UPS 的輸出插座。

警告使用者

這是甲類的產品，在住宅環境中，此一產品可能會造成無線電干擾，在此情況下，使用者可能會被要求採取額外的處置。

規格說明

Smart App Online UPS

型號	額定電壓/電流		最大功率
OL1000XL	輸入	AC 120V(+6%/−10%), 8.4A MAX, 50/60Hz	--
	輸出	AC 120V, 8.4A MAX, 50/60Hz	1000VA/900W
OL1500XL	輸入	AC 120V(+6%/−10%), 12.5A MAX, 50/60Hz	--
	輸出	AC 120V, 12.5A MAX, 50/60Hz	1500VA/1350W
OL2200XL	輸入	AC 120V(+6%/−10%), 18.4A MAX, 50/60Hz	--
	輸出	AC 120V, 18.4A MAX, 50/60Hz	2200VA/1800W
OL3000XL	輸入	AC 120V(+6%/−10%), 25.0A MAX, 50/60Hz	--
	輸出	AC 120V, 25.0A MAX, 50/60Hz	3000VA/2700W

電池安全

1. 電池的壽命隨環境溫度的升高而縮短。定期更換電池可保證 UPS 工作正常，並保證足夠的後備時間。
2. 蓄電池維護必須由具備蓄電池專業知識的人員來進行。
3. 更換蓄電池，其類型、型號與數量均應與原電池保持一致。
4. 蓄電池存在電擊危險和短路電流危險。為避免觸電傷人事故，在更換電池時，請遵守下列警告：
 - A. 請勿佩帶手錶、戒指或類似金屬物體。
 - B. 使用絕緣的工具。
 - C. 穿戴橡膠鞋和絕緣手套。
 - D. 請勿將金屬工具或類似的金屬零件放在電池上。
 - E. 在拆電池連接端子前，必須先斷開連接在電池上的負載。
5. 請勿將蓄電池暴露於火中，以免引起爆炸，危及人身安全。
6. 非專業人士請勿打開或損毀蓄電池，因為電池中的電解液含有強酸等危險物質，會對皮膚和眼睛造成傷害。如果不小心接觸到電解液，應立即用大量的清水進行清洗，並去醫院檢查。
7. 請勿將電池正負極短路，會導致電擊或著火

IMPORTANT SAFETY INSTRUCTIONS

This manual contains important instructions. Please read and follow all instructions carefully during installation and operation of the unit. Read this manual thoroughly before attempting to unpack, install, or operate the UPS.

CAUTION! The UPS must be connected to a grounded AC power outlet with fuse or circuit breaker protection. DO NOT plug the UPS into an outlet that is not grounded. If you need to power-drain this equipment, turn off and unplug the unit.

CAUTION! The battery can power hazardous components inside the unit, even when the AC input power is disconnected.

CAUTION! The UPS should be placed near the connected equipment and easily accessible.

CAUTION! To prevent the risk of fire or electric shock, install in a temperature and humidity controlled indoor area, free of conductive contaminants. (Please see specifications for acceptable temperature and humidity range).

CAUTION! (No User Serviceable Parts): Risk of electric shock, do not remove cover. No user serviceable parts inside. Refer servicing to qualified service personnel.

CAUTION! (Non-Isolated Battery Supply): Risk of electric shock, battery circuit is not isolated from AC power source; hazardous voltage may exist between battery terminals and ground. Test before touching.

CAUTION! To reduce the risk of fire, connect the UPS to a branch circuit with 12 amperes (OL1000) / 15 amperes (OL1500) / 20 amperes (OL2200) / 30 amperes (OL3000) maximum over-current protection in accordance with the National Electric Code, ANSI/NFPA 70.

CAUTION! The AC outlet where the UPS is connected should be close to the unit and easily accessible.

CAUTION! Please use only UL-marked mains cable, (e.g. the mains cable of your equipment), to connect the UPS to the AC outlet.

CAUTION! Please use only UL-marked power cables to connect any equipment to the UPS.

CAUTION! When installing the equipment, ensure that the sum of the leakage current of the UPS and the connected equipment does not exceed 3.5mA.

CAUTION! The OL1000 / OL1500 / OL2200 / OL3000 models may only be installed by qualified maintenance personnel..

CAUTION! Do not unplug the unit from AC Power during operation, as this will invalidate the protective ground insulation.

CAUTION! To avoid electric shock, turn off and unplug the unit before installing the input/output power cord with a ground wire. Connect the ground wire prior to connecting the line wires!

CAUTION! Do not use an improper size power cord as it may cause damage to your equipment and cause fire hazards.

CAUTION! Wiring must be done by qualified personnel.

CAUTION! DO NOT USE FOR MEDICAL OR LIFE SUPPORT EQUIPMENT! Under no circumstances this unit should be used for medical applications involving life support equipment and/or patient care.

CAUTION! DO NOT USE WITH OR NEAR AQUARIUMS! To reduce the risk of fire, do not use with or near aquariums. Condensation from the aquarium can come in contact with metal electrical contacts and cause the machine to short out.

CAUTION! Do not dispose of batteries in fire as the battery may explode.

CAUTION! Do not open or mutilate the battery, released electrolyte is harmful to the skin and eyes.

CAUTION! A battery can present a risk of electric shock and high short circuit current. The following precaution should be observed when working on batteries

1. Remove watches, rings or other metal objects.
2. Use tools with insulated handles.

CAUTION! The unit has a dangerous amount of voltage. When the UPS indicators is on, the units may continue to supply power thus the unit's outlets may have a dangerous amount of voltage even when it's not plugged in to the wall outlet.

CAUTION! Make sure everything is turned off and disconnected completely before conducting any maintenance, repairs or shipment.

CAUTION! Connect the Protection Earth (PE) safety conductor before any other cables are connected.

WARNING! (Fuses): To reduce the risk of fire, replace only with the same type and rating of fuse.

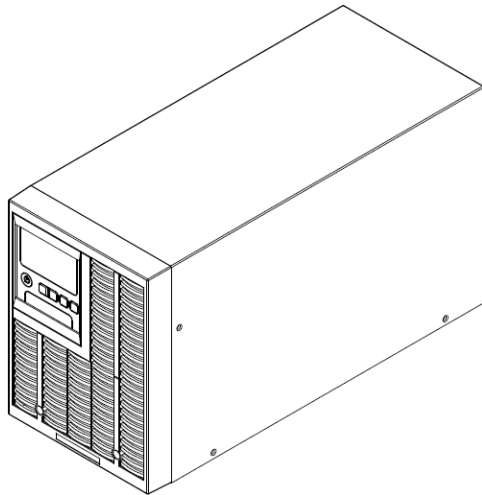
DO NOT INSTALL THE UPS WHERE IT WOULD BE EXPOSED TO DIRECT SUNLIGHT OR NEAR A STRONG HEAT SOURCE!

DO NOT BLOCK OFF VENTILATION OPENINGS AROUND THE HOUSING!

DO NOT CONNECT DOMESTIC APPLIANCES SUCH AS HAIR DRYERS TO UPS OUTPUT SOCKETS!

SERVICING OF BATTERIES SHOULD BE PERFORMED OR SUPERVISED BY PERSONNEL KNOWLEDGE OF BATTERIES AND THE REQUIRED PRECAUTIONS. KEEP UNAUTHORIZED PERSONNEL AWAY FROM BATTERIES!

UNPACKING



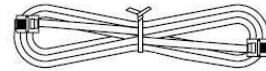
1K/1.5KVA or 2.2K/3KVA UPS



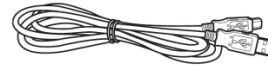
User's manual



Register card



Phone line



USB communication cable



Serial Interface Cable (RS-232)



PowerPanel® Business Edition software CD

SAFETY PRECAUTIONS

CAUTION! Installation environment should be in a temperature and humidity controlled indoor area free of conductive contaminants. Do not install this UPS where excessive moisture or heat is present (Please see specifications for acceptable temperature and humidity range).

CAUTION! Never install a UPS, or associated wiring or equipment, during a lightning storm.

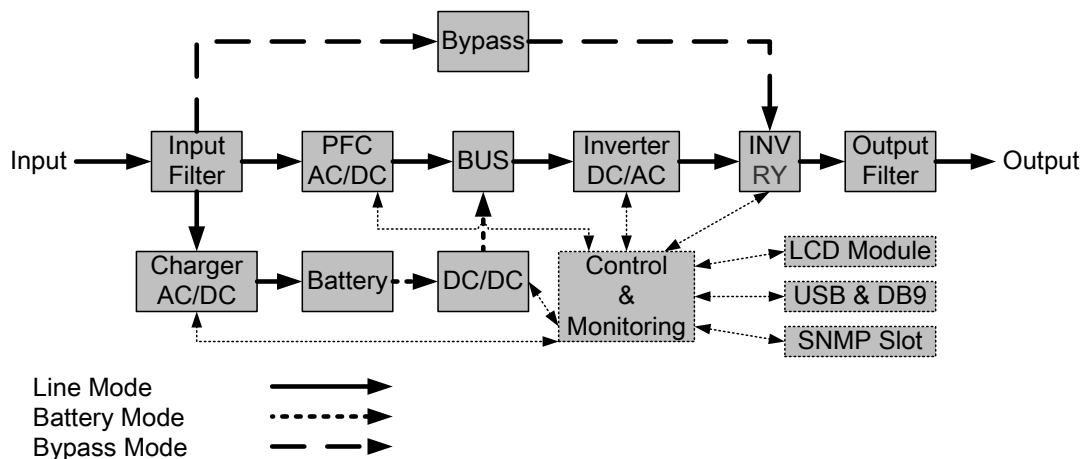
CAUTION! Do not work alone under hazardous conditions.

CAUTION! In case of the risk of electric shock, do not remove the top cover.

CAUTION! The battery can energize hazardous live parts inside even when the AC input power is disconnected.

INSTALLING YOUR UPS SYSTEM

SYSTEM BLOCK DIAGRAM



HARDWARE INSTALLATION GUIDE

1. Battery charge loss may occur during shipping and storage. Before using the UPS, it's strongly recommended to charge batteries for four hours to ensure the batteries' maximum charge capacity. To recharge the batteries, simply plug the UPS into an AC outlet.

2. When using the included software, connect either the serial or the USB cable between the computer and the corresponding port on the UPS. Note: If the USB port is used, the serial port will be disabled. They cannot be used simultaneously. After connecting to either the USB port or the Serial port on the UPS, a computer with the PowerPanel® Business Edition Agent software installed can control the operating schedule, battery test, outlets, as well as obtain UPS status information. However, other computers with PowerPanel® Business Edition Client software can only obtain UPS status information via LAN connection.

3. Connect your computer, monitor, and any externally-powered data storage device (Hard drive, Tape drive, etc.) into the outlets only when the UPS is off and unplugged. DO NOT plug a laser printer, copier, space heater, vacuum, paper shredder or other large electrical device into the UPS. The power demands of these devices will overload and possibly damage the unit.

4. To protect a fax machine, telephone, modem line or network cable, connect the telephone or network cable from the wall jack outlet to the jack marked "IN" on the UPS and connect a telephone cable or network cable from the jack marked "OUT" on the UPS to the modem, computer, telephone, fax machine, or network device.

5. Press the ON/OFF switch to turn the UPS on. The Power-On indicator light will display when activated. If an overload is detected, an audible alarm will sound and the UPS will continuously emit two beeps per second. For resetting the unit, unplug some equipment from the outlets. Make sure your equipment carries a load current within the unit's safe range, (refer to the technical specifications).

6. This UPS is equipped with an auto-charge feature. When the UPS is plugged into an AC outlet, the battery will automatically charge, even when the unit is switched off.

7. To maintain an optimal battery charge, leave the UPS plugged into an AC outlet at all times.

8. Before storing the UPS for an extended period of time, turn the unit OFF. Then cover it and store it with the batteries fully charged. Recharge the batteries every three months to ensure good battery capacity and long battery life. Maintaining a good battery charge will help prevent possible damage to the unit from battery leakage.

9. The UPS has one USB port (default) and one Serial port that allows connection and communication between the UPS and any attached computer running the PowerPanel® Business Edition Agent software. The UPS can control the computer's shutdown during a power outage through the connection while the computer can monitor the UPS and alter various programmable parameters. Note: Only one communication port can be used at a time. The port not in use will automatically become disabled or the serial port will be disabled if both ports are attached.

10. EPO (Emergency Power Off) Port:

EPO ports allow administrators the capability to connect the UPS unit to customer-supplied EPO switches. These installations give operators a single access point to immediately power-off all equipment connected to the UPS during an emergency.

11. To avoid electric shock, turn the unit OFF and disconnect the unit from utility power before hardwiring the UPS (in/out power cord). The in/out power cord MUST be grounded.

BASIC OPERATION

POWER MODULE FRONT/REAR PANEL DESCRIPTION

1. Power Button / Power on Indicator

Master ON/OFF for the UPS. Indicates that the UPS is on and supplying power.

2. UPS Status / Fault / Replace Battery LED Indicator

Indicates the status of the UPS, displaying whether it is operating in Line, Battery or Bypass Mode, if it has an internal fault or if the battery needs to be replaced.

3. Multifunction LCD Readout

Shows UPS status, information, settings and events.

4. Function Buttons

Scroll up, scroll down, select and cancel LCD menu.

5. Input Circuit Breaker

Provides input overload and fault protection.

6. Battery Backup & Surge Protected Outlets

Provides battery backup and surge protection. They ensure power is provided to connected equipment over a period of time during a power failure.

Critical / Noncritical Load

Allows the creation of load priorities to ensure that battery power reserves are transferred to specified outlets during a power outage. The unit can be programmed to provide additional runtime for equipment connected to the "CRITICAL" outlets, while stopping the power supply to equipment connected to "NONCRITICAL" outlets after a designated period of time.

7. Serial Port

Serial port provides communication between the UPS and the computer. The UPS can control the computer's shutdown during a power outage through the connection while the computer can monitor the UPS and alter its various programmable parameters.

8. USB port

This is a connectivity port which allows communication and control between the UPS and the connected computer. It is recommended to install the PowerPanel® Business Edition Agent software on the PC/Server connected with the USB cord.

9. Surge Protected Communication Ports RJ-45/RJ-11

These ports are used to protect standard RJ-45/RJ-11 based products (ADSL, LAN, Phone/ Modem-Lines) and cabling systems from surges.

10. Relay Output Connector

Convert UPS signals into real potential-free Dry Contacts for industrial control.

11. SNMP/HTTP Network slot

Slot to install the optional SNMP card for remote network control and monitoring.

12. Extended Runtime Battery Module Connector

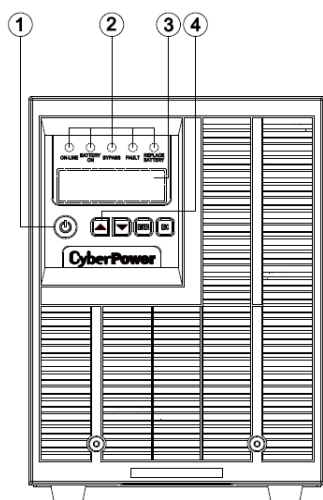
Connection for additional CyberPower XL Battery modules.

13. EPO (Emergency Power Off) Connector

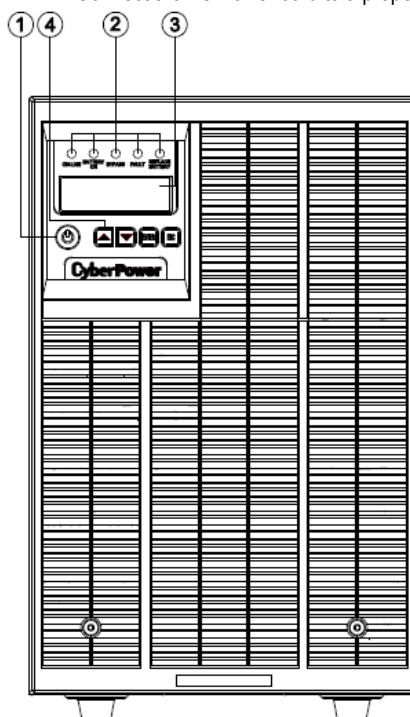
Enables an emergency UPS Power-Off from a remote location.

14. AC Input Inlet

Connect the AC Power cord to a properly wired and grounded outlet.

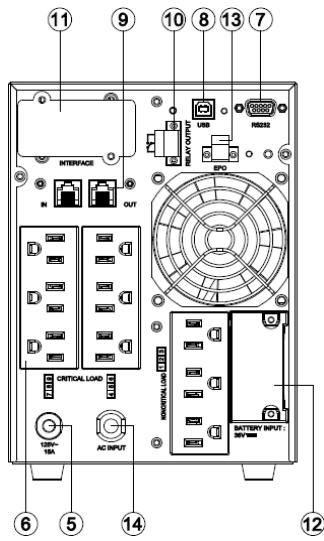


OL1000XL / OL1500XL

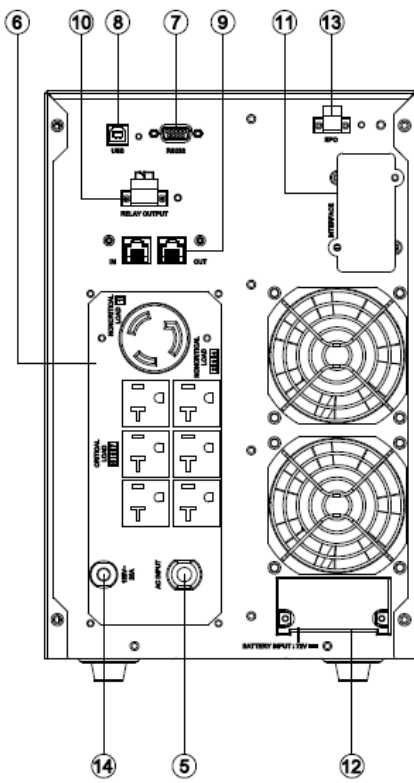


OL2200XL / OL3000XL

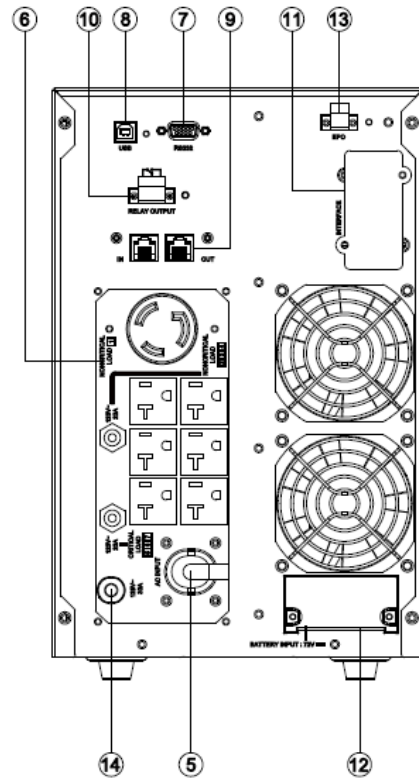
BASIC OPERATION



OL1000XL / OL1500XL

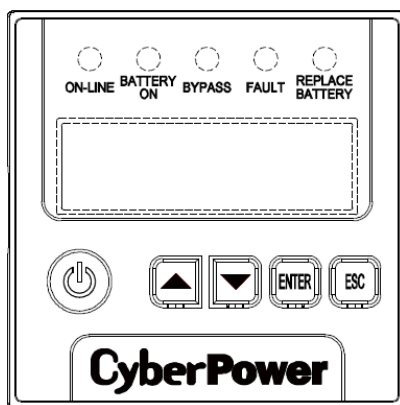


OL2200XL



OL3000XL

OPERATION INSTRUCTIONS FOR LCD MODULE



LED INDICATORS – UPS STATUS

LED Indicators	Color	UPS Status Description
ON/OFF	White	UPS power is on.
ON-LINE	Green	UPS is operating in Line Mode.
BATTERY ON	Yellow	UPS is operating in Battery Mode.
BYPASS	Yellow	UPS is operating in Bypass Mode, Manual Bypass or ECO (Economy) Mode.
FAULT	Red	UPS has an internal fault. See “Trouble Shooting” for additional information.
REPLACE BATTERY	Red	Battery will soon need to be replaced due to insufficient runtime.

LCD SCREEN – UPS STATUS

LCD Screen	UPS Status Description
Line Mode	UPS is operating in Line Mode.
Battery Mode	UPS is operating in Battery Mode.
Bypass Mode	UPS is operating in Bypass Mode.
Manual Bypass	UPS is operating in Manual Bypass.
ECO Mode	UPS is operating in ECO (Economy) Mode.

BUTTON OPERATION

Button	Operation Description
ON/OFF	Press this button to turn on or turn off UPS.
▲	Press this button to scroll up in the LCD menu.
▼	Press this button to scroll down in the LCD menu.
ENTER	Press this button to select an option.
ESC	Press this button to cancel or return to previous LCD menu.

LCD SETUP FUNCTIONS

MULTI-FUNCTION LCD MAIN MENU

Press “Enter” button to activate “MAIN MENU”.

MAIN MENU submenu	Function Description
Information	Displays the UPS information.
Configure	Displays the UPS settings that can be configured by the user.
Event Log	Displays the 3 most recent events, by event count, time (day/hour/minute), and event description.

LCD INFORMATION READOUT

There are 19 types of UPS information available for display.

1. Press the “ENTER” button to activate the “MAIN MENU”.
2. Press the “▲” and “▼” buttons to scroll to the “Information” option.
3. Press the “ENTER” button to select the “Information” submenu.
4. Press the “▲” and “▼” buttons to scroll through the “Information” submenu in the following table.
5. Press the “ESC” button to return to UPS Status.

Information Submenu	Description
O/P Volt = XXX.XV	Displays the Output Voltage
O/P Freq = XX.XHz	Displays the Output Frequency
I/P Volt = XXX.XV	Displays the Input Voltage
I/P Freq = XX.XHz	Displays the Input Frequency
O/P Load = XXX%	Displays the Output Load as a Percentage of Maximum load
O/P Amp = X.XA	Displays the Output Current
O/P Watt =XXXXXXW	Displays the Output Wattage
O/P VA =XXXXXXVA	Displays the Output VA
BAT Volt = XXX.XV	Displays the Battery Voltage
BAT Cap = XXX%	Displays the Estimated Percentage of Battery Capacity
BAT Runtime=XXXXM	Displays the Estimated Battery Runtime in Minutes
EBM Number= X	Displays the External Battery Module Number
TEMP =XX°C / XXX°F	Displays the Approximate inside Temperature in both °C (Celsius) and °F (Fahrenheit) for the UPS
SBM = XXXXX XH(M)	Displays the stage of Smart Battery Management with Operation Time
Rating = XXK VA	Displays the UPS Rating
MCU Ver = XXXX	Displays the MCU Firmware Version
Model Name	Displays the UPS Model Name
Date & Time ----/--/-- --:--	Displays the present Date & Time
Next BAT Change XXX / XXXX	Displays the next Battery Change Date & Time

LCD SETUP FUNCTIONS

LCD EVENT LOG

3 Event Logs of UPS can be recorded.

1. Press the “**ENTER**” button to activate the “**MAIN MENU**”.
2. Press the “**▲**” and “**▼**” buttons to scroll to the “**Event Log**” option.
3. Press the “**ENTER**” button to select the “**Event Log**” submenu.
4. Press the “**▲**” and “**▼**” buttons to scroll through the “**Event Log**” submenu in the following table.
5. Press the “**ESC**” button to return to UPS Status.

Event Log Submenu	Description
(X)	XXDXXHXXM (without PowerPanel® Business or RMCARD302)
	-- / -- --:-- (with PowerPanel® Business or RMCARD302)

Event Content

MULTI-LANGUAGE INTERFACE

Users can configure 1 of the 4 available languages for display.

([English], [Español-Spanish], [Français-French], [Deutsch-German])

1. Press the “**ENTER**” button to activate the “**MAIN MENU**”.
2. Press the “**▲**” and “**▼**” buttons to scroll to the “**Configure**” option.
3. Press the “**ENTER**” button to select the “**Configure**” submenu.
4. Press the “**▲**” and “**▼**” buttons to scroll through the “**Language**” options.
5. Press the “**ENTER**” button to select the “**Language**” submenu.
6. Press the “**▲**” and “**▼**” buttons to scroll to the language that you want to select.
You may be prompted to save the selection, if so press the “**ENTER**” button to save the setting.
7. Press the “**ESC**” button to cancel or return to previous LCD menu.

LCD SETTINGS CONFIGURATION

There are 22 UPS settings that can be configured by the user.

1. Press the “**ENTER**” button to activate the “**MAIN MENU**”.
2. Press the “**▲**” and “**▼**” buttons to scroll to the “**Configure**” option.
3. Press the “**ENTER**” button to select the “**Configure**” submenu.
4. Press the “**▲**” and “**▼**” buttons to scroll to the “**Configure**” submenu in the following table.
5. Press the “**ENTER**” button to select the setting you want to configure.

The first configuration parameter will be displayed on the second column of LCD screen.

6. Press the “**▲**” and “**▼**” buttons to scroll through the different parameters.
7. Press the “**ENTER**” button to select the parameter you want to change.

You may be prompted to save the selection, if so press the “**ENTER**” button to save the setting. Some options are saved and started automatically. (See the following table for additional details.)

8. Press the “**ESC**” button to cancel or return to the previous LCD menu.

LCD SETUP FUNCTIONS

Configure Submenu	Available Settings	Default Setting
Output Voltage*	= [100V] [110V] [115V] [120V] [125V]	120V
Sync Freq Window	Range= +/- 1%] +/- 2%] +/- 3%] +/- 4%] +/- 5%] [+/- 6%] [+/- 7%] [+/- 8%] [+/- 9%] [+/-10%]	+/- 5%
Bypass V Window	Range= [+10%/-10%] [+10%/-15%] [+10%/-20%] [+15%/-10%] [+15%/-15%] [+15%/-20%]	+10%/-15%
Bypass Condition	[Check Freq/Volt] [Check Volt Only] [No Bypass]	Check Freq/Volt
ECO Mode**	[Disable] [Enable] [V Range= +/-15%] [V Range= +/-10%] (for [Enable])	Disable
Manual Bypass	[Disable] [Enable]	Disable
Battery Test	[Activate?]	None
Audible Alarms	[Disable] [Enable]	Enable
EBM Number	= [0] [1] [2] [3] [4] [5] [6] [7] [8] [9] [10]	0
Wiring Fault	[Disable] [Enable]	Disable
NCL Control	[Outlet On] [Outlet Off]	Outlet On
Language	[English] [Español-Spanish] [Français-French] [Deutsch-German]	English
Generator Mode***	[Disable] [Enable]	Disable
Communication	[Disable] [Enable]	Enable
Dry Relay Set	[I/P Power Fail] [Battery Low] [Summary Alarm] [UPS On Bypass] [UPS Fail]	I/P Power Fail
Converter Mode****	[Converter Off] [O/P Freq = 50Hz] [O/P Freq = 60Hz]	Converter OFF
Screen Saver	[Disable] [1 Minutes] [5 Minutes]	5 minutes
Clear Event Log	[Activate?]	None
Button OFF LOCK	[Disable] [Enable]	Disable
Charger Function	[SBM] [Constant]	SBM
Signal Inputs	[Disable] [EPO] [ROO]	Disable
Charger Check	[Disable] [Enable]	Disable

*) 100V are derated by 20%, 110 V are derated by 10%

Output voltage default setting depends on different nation or order requested.

**) This function can't be set when Manual Bypass, Generator Mode or Converter Mode is enabled.

***) UPS has no bypass when Generator Mode is enabled.

****) UPS has no bypass when Converter Mode is enabled. This function can only be set before the UPS is on.

LCD SETUP FUNCTIONS

SILENCING AUDIBLE ALARMS

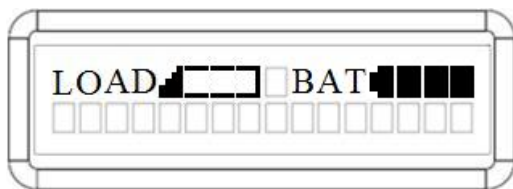
1. Press any of four function buttons on the LCD module; Note: the alarm can not be turned off for a “**Battery Low**” condition. This condition will still result in an audible alarm.
2. Change the 'Audible Alarms' option to 'Disable' in the LCD screen and it will no long give an audible alarm for any malfunction.

MANUAL BATTERY TEST

Select 'Active' in the 'Battery Test' portion of the LCD screen and the unit will perform a manual battery test.

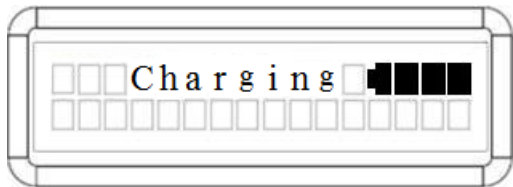
GRAPHICAL LOAD/BATTERY CAPACITY DISPLAY

1. Press the “ESC” button to return to UPS Status.
2. Press the “▲” and “▼” buttons to scroll to the “LOAD” and “BAT” Capacity.
3. Press the “▲” and “▼” buttons to scroll to the “Charging” or “Discharging” Capacity.



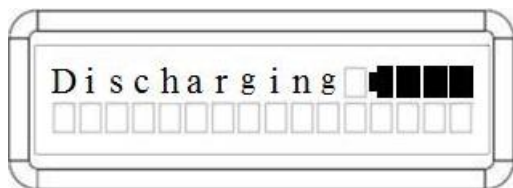
LOAD and **BAT** Capacity

The LCD screen displays the Load and Battery capacity with a graphical icon.



Charging Capacity

The LCD screen displays the battery capacity during charging with a graphical icon while on Line Mode.



Discharging Capacity

The LCD screen displays the remaining battery capacity with a graphical icon while on Battery Mode.

LCD MODULE REMOTE CONTROL and WALL-MOUNTING INSTRUCTIONS

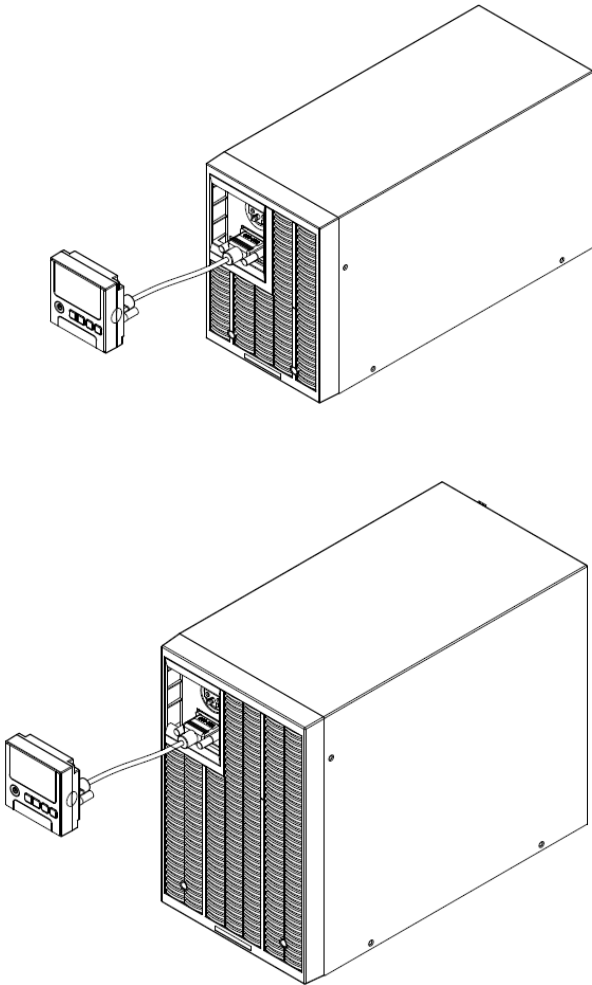
REMOTE CONTROL

Step 1: Remove the Multifunction LCD Module

Unscrew the right panel of the UPS. Separate the right panel from the UPS. Gently lift the LCD module out. Reinstall the right panel.

Step 2: Connect the DB26 Cable

Connect the DB26 cable from LCD module to the “**Remote Control Port**” on the front panel as shown in the following figure.



WALL-MOUNTING INSTRUCTIONS

Step 1: Remove the Multifunction LCD Module

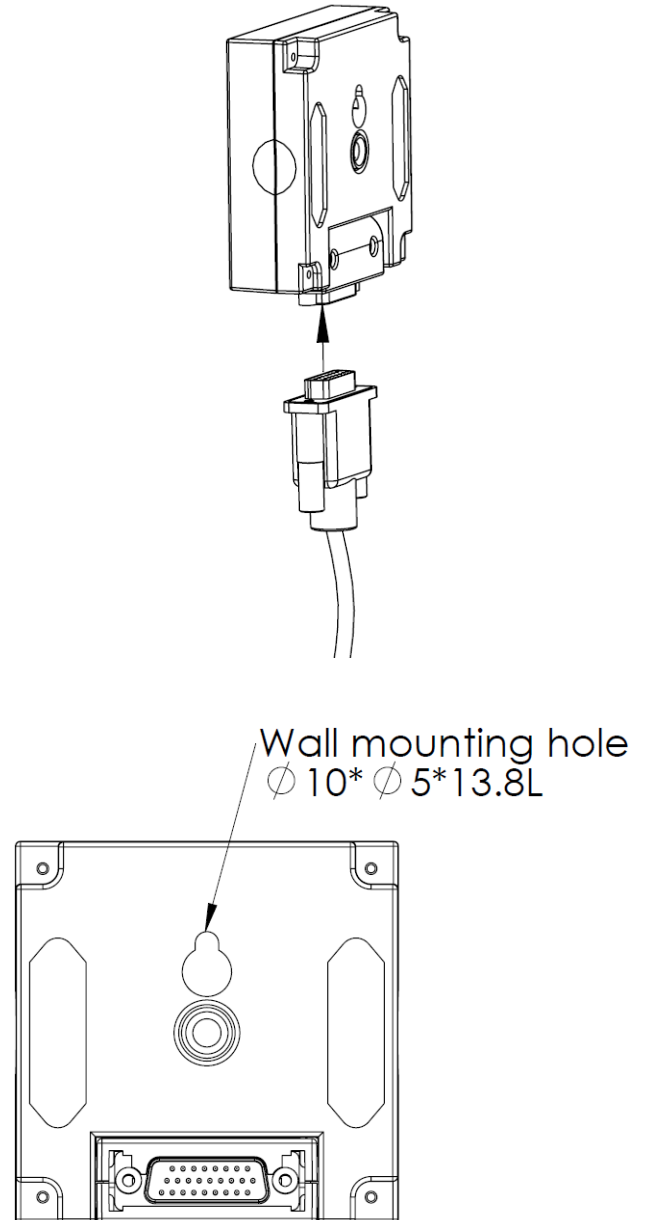
Unscrew the right panel of the UPS. Separate the right panel from the UPS. Gently lift the LCD module out. Reinstall the right panel.

Step 2: Rotate the DB26 Connector of LCD Module

Step 3: Connect the DB26 Cable

Connect the DB26 cable from LCD module to the “**Remote Control Port**” on the front panel as shown in the following figure.

Step 4: Mount LCD Module on the Wall



SAFETY PRECAUTIONS

CAUTION! It must be done by qualified personnel.

CAUTION! To avoid electric shock, turn off and unplug the unit before installing REMOTE CONTROL or WALL-MOUNTING INSTRUCTIONS.

MAINTENANCE

Storage

To store your UPS for an extended period, cover it and store with the battery fully charged. Recharge the battery every three months to ensure battery life.

Battery Replacement

Please read and follow the Safety Instructions before servicing the battery. Battery replacement should be performed by trained personnel who are familiar with the procedures and safety precautions. Make a note of the replacement Battery tray number.

Safety Precautions

CAUTION! Only use replacement batteries which are certified by CyberPower Systems. Use of incorrect battery type is an electrical hazard that could lead to explosion, fire, electric shock, or short circuit.

CAUTION! Batteries contain an electrical charge that can cause severe burns. Before servicing batteries, please remove any conductive materials such as jewelry, chains, wrist watches, and rings.

CAUTION! Do not open or mutilate the batteries. Electrolyte fluid is harmful to the skin/eyes and may be toxic.

CAUTION! To avoid electric shock, turn off and unplug the UPS from the wall receptacle before servicing the battery.

CAUTION! Only use tools with insulated handles. Do not lay tools or metal parts on top of the UPS or battery terminals.

Replacement Batteries

Please refer to the front side of the UPS for the model number of the correct replacement batteries. For battery procurement, log onto www.CPSwww.com, or contact your local dealer.

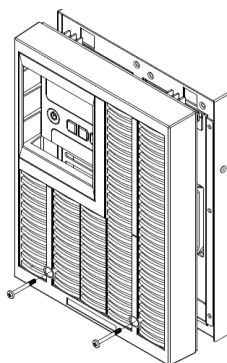
Battery Disposal

Batteries are considered hazardous waste and must be disposed of properly. Contact your local government for more information about proper disposal and recycling of batteries. Do not dispose of batteries in fire.

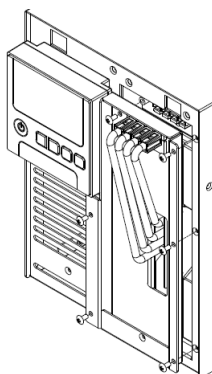
CyberPower Systems encourages environmentally sound methods for disposal and recycling of its UPS products.

Please dispose and/or recycle your UPS and batteries in accordance to the local regulations of your state.

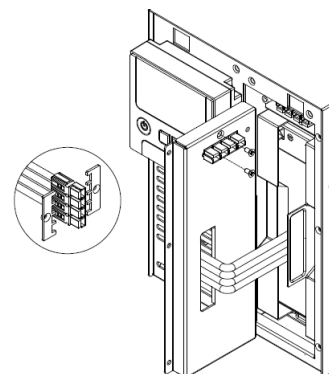
Battery Installation



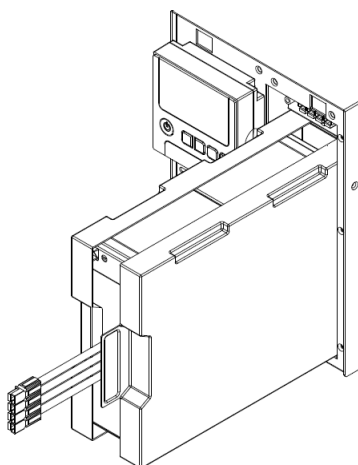
Step 1: Remove the front panels



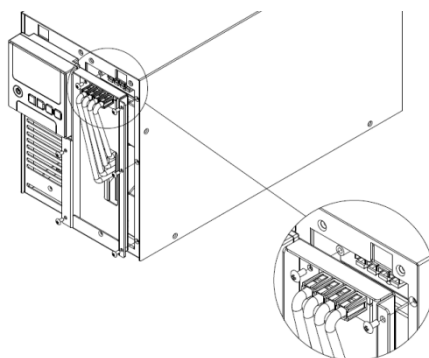
Step 2: Remove the retaining screws from the cable protection cover and then remove the cover itself



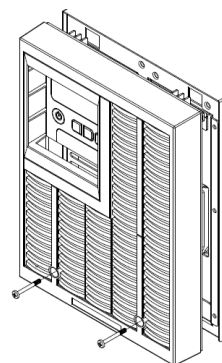
Step 3: Unscrew the connectors fixed plates on the battery retaining cover



Step 4: Pull the battery tray out slowly and then put the new battery tray back into the compartment



Step 5: Fasten back the connectors on the battery retaining cover. Then insert the battery connectors and tighten the screws of battery retaining cover



Step 6: Install the front panels

TECHNICAL SPECIFICATIONS

Model	OL1000XL	OL1500XL	OL2200XL	OL3000XL
Configuration				
Capacity (VA)	1000VA	1500VA	2200VA	3000VA
Capacity (Watts)	900W	1350W	1800W	2700W
Form Factor	Tower			
Energy-saving Technology	Yes, ECO Mode Efficiency > 93%			
Input				
Input Voltage Range	100~125Vac			
Input Frequency Range	50 / 60Hz			
Input Power Factor	0.99			
Cold Start	Yes			
Output				
Output Waveform	Sine wave			
Output Voltage*	100, 110, 115, 120, 125Vac (Configurable) $\pm 2\%$			
Output Frequency	50 / 60Hz (Auto-Sensing or Configurable) $\pm 0.25\text{Hz}$			
Transfer Time (Typically)	0ms			
Rated Power Factor	0.9		0.82	0.9
Harmonic Distortion	THD < 3% at Linear Load, < 5% at Non-linear Load			
Crest Factor	3 : 1			
ECO Mode Voltage Regulation	$\pm 10\%$, $\pm 15\%$ (Configurable)			
UPS Outlets	(9) NEMA 5-15R		(6) NEMA 5-20R, (1) L5-20R	(6) NEMA 5-20R, (1) L5-30R
Protection				
Surge Protection	IEC 61000-4-5 Level 3			
Phone / Network Protection	RJ11/RJ45 (One In/One Out)			
Overload Protection	Line Mode : 105~125% Load for 1 min, 126~150% Load for 10 sec Battery Mode : 105~130% Load for 10 sec, 131~150% Load for 2 sec			
Short Circuit Protection	UPS Output Cut off Immediately or Input Fuse / Circuit Breaker Protection			
Battery				
Specifications	(3) 12V/9AH		(6) 12V/9AH	
Recharge Time (Typically)	5 hours			
Sealed, Maintenance Free	Yes			
Hot-Swappable	Yes			
Status Indicators				
LCD Screen	Multi-Function LCD Readout that Supports : Multi-Language Interface, (19) Types of Read Out, (22) Types of Function Setting, (3) Event Logs			
LED Indicators	Power On (White), Line Mode (Green), Battery Mode (Yellow), Bypass Mode (Yellow), Fault (Red), Replace Battery (Red)			
Audible Alarms	Battery Mode, Battery Low, Overload, UPS Fault, Replace Battery			
Environment				
Operating Temperature	32°F to 104°F (0°C to 40°C)			
Operating Relative Humidity	0 to 90% Non-Condensing			
Management				
On-Device Features	Self Test, Auto-Charge, Auto-Restart, Auto-Overload Recovery			
Connectivity Ports	(1) Serial Port (RS232), (1) USB Port, (1) Relay Out			
SNMP/HTTP Capable	(1) Expansion Port (With optional SNMP card)			
Software				
Power Management Software	PowerPanel® Business Edition			
Physical				
Dimensions	15.6 x 6.6 x 9.1in. (397 x 167 x 232mm)		16.3 x 8.3 x 13.2in. (414 x 212 x 336mm)	
Net Weight	34.1lbs(15.5Kg)		66.0lbs(30.0Kg)	
Safety				
Conformance Approvals	UL, VCCI, BSMI			

*)100V are derated by 20%, 110 V are derated by 10%

TROUBLE SHOOTING

Problem	Possible Cause	Solution
Warning		
O/P Overload	Your equipment requires more power than the UPS can provide. If the UPS is in Line Mode then it will transfer to Bypass Mode; if the UPS is in Battery Mode it will shutdown.	Shut off non-essential equipment. If this solves the overload problem, the UPS will transfer to normal operation.
Load Over XXX%	Your equipment requires more power than the setting in the Power Management Software (PowerPanel® Business) will allow.	Shut off the non-essential equipment or increase the level in the Power Management Software.
Battery Mode	UPS is operating on battery power.	Save your data and perform a controlled-shutdown.
Battery Low	UPS is operating on battery power and will be shutting down soon due to extremely low battery voltage.	UPS will restart automatically when acceptable utility power returns.
BAT Disconnected	Missing battery power.	Check battery connector and battery breaker.
Battery Failure	UPS has failed a Battery Test.	1. Check battery connector and battery breaker. 2. Contact technical support to replace the battery.
Replace Battery	Battery will soon need to be replaced due to insufficient runtime.	Contact technical support to replace the battery.
EPO OFF	Missing the EPO connection.	Check the EPO connection.
Wiring Fault	Line and neutral wires are reversed.	Exchange line and neutral wires.
	Missing ground wire.	Connect ground wire.
	No ground wire.	Disable Wiring Fault alarm on LCD panel.
Line Abnormal	Wrong utility power backed up during UPS auto-restart.	Check whether voltage or frequency of utility power is out of range.
Output Short	Output short circuit.	Your attached equipment may have problems, please remove them and check again.
Over Temperature	High ambient temperature.	Check the fan for operation and if the ventilation hole has been covered.
Coldstart Lock	UPS is locked to prevent consuming battery power during shipping.	Plug into utility power for first-time operation.
Autorestart Lock	“Automatic Restore” is disabled in Power Management Software (PowerPanel® Business)	Press “ON/OFF” button to turn on UPS
Fault		
Over Charge	Battery is overcharged.	1. Remove battery connector and check charger voltage. 2. Contact CyberPower for repair.
Charger Failure	Charger has failed.	
High O/P V	Output voltage is too high.	1. Shut down UPS and turn off input breaker. 2. Contact CyberPower for repair.
Low O/P V	Output voltage is too low.	
Bus Fault	Internal DC bus voltage is too high or too low.	
Fan Error	Internal Fan has failed.	

CyberPower Systems Inc.

www.cpsww.com

Entire contents copyright© 2014 CyberPower Systems Inc., All rights reserved. Reproduction in whole or in part without permission is prohibited. PowerPanel® Business Edition and PowerPanel® Personal Edition are trademarks of CyberPower Systems Inc.