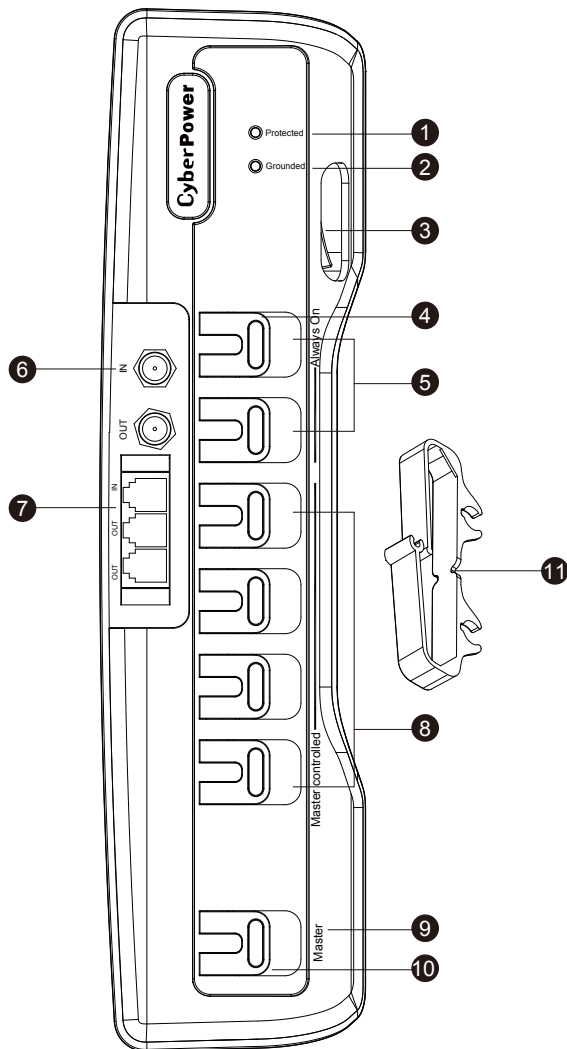


## 7-Outlet Energy Saving Surge Protector CSHT706TCG



### User Manual

#### CONGRATULATIONS ON YOUR PURCHASE

Thank you for selecting the CyberPower CSHT706TCG Surge Protector. The information contained in this brochure explains the features and operation of the CSHT706TCG. Please take a few moments to read this manual.

#### FEATURES

- Protected LED Indicator**  
Illuminated when the surge protection feature is working properly.
- Grounded LED Indicator**  
Illuminated when a properly grounded AC outlet is detected.
- ON/OFF Reset Control Switch and Circuit Breaker**  
Controls power to all outlets. The switch is also a 15A breaker. When an overload occurs, it will automatically switch off. To resume operation, ensure the overload condition is removed and reset the surge protector by switching the unit ON.
- Safety Covers**  
All outlets on this surge protector include safety covers. To ensure the safety of children and to avoid electric shock and damage from a high-dust environment, slide the plastic outlet cover over outlets that are not used.
- Two Always-On Outlets**  
Provide continuous power regardless of Master /Master-controlled outlets state.
- Surge Protected Cable and Satellite Connections**  
Protects coaxial lines from surges and spikes.
- Surge Protected Data Line Connections**  
To protect your equipment from surge along phones/fax/modems lines.  
A. Connect the phone line from wall outlet into the "In" port.  
B. Connect the phones/fax/modems line(s) in the "Out" ports.
- Four Energy-Saving Master Controlled Outlets**  
Automatically switched on or off by master outlet.
- Energy-Saving Master Outlet**  
Automatically switches four master controlled outlets on or off.
- One Wide-Spaced Outlet**  
Easily plug in large chargers without interfering with the other outlets.
- Cord Gathering Bracket**  
Keeps power cords neat and organized.

#### SPECIFICATIONS

- Model Number: CSHT706TCG
- Outlets: 7 – 1 Transformer Spaced Outlet
- Surge Protection: 2250 Joules
- Electrical Rating: 125V/15A/1875W
- UL Clamping Voltage: UL 1449 3<sup>rd</sup>/400V (H-N, H-G, N-G)
- Maximum Peak Current: 105,000A
- 3 AC Lines Protected: H-N: 45,000A, H-G: 30,000A, N-G: 30,000A; (The maximum surge possible on household wiring is 6,000 volts)

- Response Time: Less than 1 nanosecond
- Attenuation: Up to 43dB
- Telecommunications Protection:  
RJ11 1 in / 2 out  
Cable (coaxial) 1pair
- Circuit Breaker: Resettable 15 Amp
- EMI/RFI Filtration: 150 kHz to 100 MHz
- Energy Saving Off Level= 0.17A +/- 0.05A (10W +/- 6W@ 125V, PF=0.5~0.6)
- Energy Saving On Level = 0.35A +/- 0.05A (24W +/- 6W@ 125V, PF=0.5~0.6)

#### CAUTION

**TO REDUCE THE RISK OF ELECTRIC SHOCK** - Use only in dry locations and only indoors. **DO NOT** plug into another relocatable power tap. **DO NOT** "daisy chain" surge protectors. **DO NOT** use with any aquarium equipment. **DO NOT** use if properly grounded outlets are not available. **DO NOT** install this device if there is not at least 10 meters (30 feet) or more of wire between the electrical outlet and electrical service panel. This device features an internal protection that will disconnect the surge protective component at the end of its useful life, but will maintain power to the load – now unprotected.

#### TROUBLESHOOTING

If the ON/OFF is switched off, the 15 AMP circuit breaker may have tripped. Examine your connected equipment and remove the device that is overloading the circuit. Then, turn the ON/OFF switch back to RESET.

If the Grounded indicator does not light when you plug in the surge protector, move the surge protector to a different grounded three-prong AC outlet. If it still does not light, return the product to the dealer for assistance. If the surge protector proves to be working properly, your outlets may not be properly grounded and need to be repaired by a professional electrician.

If the Grounded indicator turns off after a period of use, the surge protection has been depleted. Replace your surge protector.

If the Protected indicator does not light, the surge protector's AC line is no longer protected from surges. Replace the surge protector. The surge protector may have received a power surge or spike beyond its specified limits that might overload the protection circuitry and make it inactive. The surge protector absorbed enough of the surge to protect your connected equipment, but it will not protect against future surges and spikes.

If the Master-controlled outlets don't turn on or off when your notebook computer or TV is connected to the Master outlet:

- The power consumption of Master outlet must be below the Energy Saving Off Level for the Master-controlled outlets to turn off. Some computers continue to consume more than Energy Saving Off Level of power during battery charging or in standby mode. In this case, please make sure Hibernate/Sleep mode is also enabled on your computer under power management settings, or check with your computer's manufacturer.

- The power consumption of Master outlet must be above Energy Saving On Level to trigger the Master-controlled outlets to turn on. Some computers and TV do not draw enough power to turn on the Master-controlled outlets. In this case, please try plugging a different primary device into the Master outlet.

#### TECHNICAL SUPPORT

Please contact our Tech Support department with installation, troubleshooting, or general product questions.

- Phone: 1-877-297-6937
- Email: tech@cpsww.com
- Hours of Operation: Monday – Friday, 8:00am – 5:00pm CST

#### LIMITED WARRANTY AND CONNECTED EQUIPMENT GUARANTEE

Read the following terms and conditions carefully before using the CyberPower CSHT706TCG (the "CPS Product"). By using the CPS Product, you consent to be bound by the terms and conditions of this Limited Warranty and Connected Equipment Guarantee (together referred to as this "Warranty") **IF YOU DO NOT AGREE TO THE TERMS AND CONDITIONS OF THIS WARRANTY, YOU SHOULD RETURN THE PRODUCT FOR A FULL REFUND PRIOR TO USING IT.**

#### Who is providing this Warranty, what does it cover?

CyberPower Systems (USA), Inc. ("CyberPower") provides this Limited Warranty. It only covers the original purchaser and ends if you no longer own the CPS Product. This warranty covers defects in materials and workmanship in the CPS Product under normal use and conditions. It also covers equipment connected to the CPS Product and damaged because of the failure of the CPS Product. This warranty covers the CPS Product and connected equipment for as long as you own the CPS Product.

#### What must I do to make a warranty claim?

1. Call (877) 297-6937 or write to CyberPower, 4241 12th Ave. E., STE 400, Shakopee, MN 55379 or send a message at claims@cpsww.com for instructions.
2. Identify the Product, the Purchase Date, and the item(s) of Connected Equipment.
3. Provide a dated Proof-of-Purchase receipt (or other proof of the original purchase) and provide a description of the defect.

4. Pack and ship the product to CyberPower and, if requested, the item(s) of Connected Equipment, and all claim forms that CyberPower provides to you. Show the Claim Number on the shipping label or include it with the product. **You must prepay all shipping costs, you are responsible for packaging and shipment, and you must pay the cost of the repair estimate.**
5. Do each of these within ten days of the occurrence.

#### What will CyberPower do to correct problems?

CyberPower will inspect and examine the CPS Product. If the CPS Product is defective in material or workmanship, CyberPower will repair or replace it at CyberPower's expense, or CyberPower will refund the full purchase price you paid for the CPS Product (purchase receipt showing price paid is required).

If the CPS Product failed to protect any equipment plugged into it, we will also send you forms for making your claim for the connected equipment. We will repair or replace the equipment that was damaged because of the failure of the CPS Product or pay you the fair market value (NOT REPLACEMENT COST) of the equipment at the time of the damage. We will use Orion Blue Book, another a third-party valuation guide, eBay, craigslist, or other source to establish that amount. Our maximum liability is limited to \$175,000 for the CSHT706TCG.

#### Who pays for shipping?

We pay when we send items to you; you pay when you send items to us.

#### What are some things this Warranty does not cover?

1. **THIS WARRANTY DOES NOT COVER ANY SOFTWARE THAT WAS DAMAGED OR NEEDS TO BE REPLACED DUE TO THE FAILURE OF THE CPS PRODUCT OR ANY DATA THAT IS LOST AS A RESULT OF THE FAILURE OR THE RESTORATION OF DATA OR RECORDS, OR THE REINSTALLATION OF SOFTWARE.**
2. This Warranty does not cover: misuse, modification, operation or storage outside environmental limits of the CPS Product or the equipment connected to it, or for damage while in transit or in storage, nor if there has been improper operation or maintenance, or use with items not designed or intended for use with the CPS Product, such as laser printers, appliances, aquariums, medical or life support devices, etc.

#### What are the other limitations?

The sole and exclusive remedies of the Initial Customer are those provided by this Warranty.

1. This Warranty does not apply unless the CPS Product and the connected equipment were connected to properly wired and grounded outlets (including compliance with electrical and safety codes of the most current electrical code), without the use of any adapters or other connectors.
2. The CPS Product must have been plugged directly into the power source and the equipment connected to the CPS Product must be directly connected in the CPS Product, not "daisy-chained" together in serial fashion with any extension cords, another Product or device similar to the CPS Product, surge suppressor, or power tap. Any such installation voids the Warranty.
3. The CPS Product and connected equipment must have been used properly in a suitable and proper environment, in conformance with any applicable license, instruction manual, or warnings.
4. The CPS Product must have been used at all times within the limitations on the CPS Product's VA capacity.

#### Where can I get more information?

Contact CyberPower at 4241 12th Ave E., STE 400, Shakopee, MN 55379; call us at (877) 297-6937; or send us an e-mail message at claims@cpsww.com.

#### PRODUCT REGISTRATION

Prompt product registration assures coverage under the Limited Warranty, and also allows the opportunity to be notified of product enhancements, upgrades, and other announcements.

Registration is quick and easy at [www.cpsww.com/register](http://www.cpsww.com/register).

#### CONTACT INFORMATION

CyberPower Systems, Inc.  
4241 12th Avenue East Suite 400 Shakopee, MN 55379  
Toll-free: 1-877-297-6937 | CPSww.com



Please join CyberPower in caring for the environment by recycling this manual.

This device is manufactured using environmentally-safe procedures in compliance with the Restriction on Hazardous Substances (RoHS) directive.