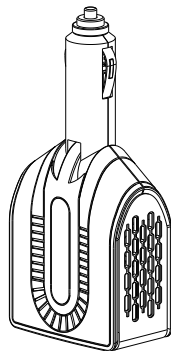


CyberPower®

AC Mobile Power Inverter CPS160PBU User Guide



Important Safety Information

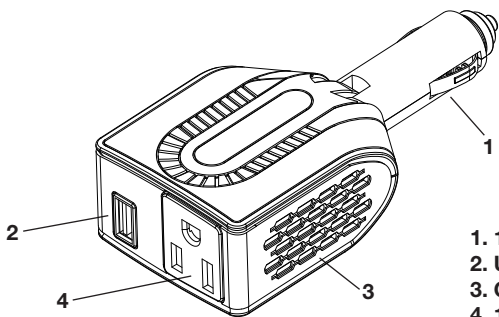
Before installing and using the CyberPower CPS160PBU Mobile Power Inverter please read and follow these safety instructions:

- Do not operate the CPS160PBU near flammable materials, fumes, or gases.
- Always use the inverter where there is adequate ventilation. Do not obstruct the ventilation slots.
- Never immerse the unit in water.
- Proper cooling is essential when operating the inverter. Refrain from placing the inverter near the vehicle's heat vent, or in direct sunlight.
- Always turn the inverter off when not in use by removing it from the DC accessory socket.
- Check the warning labels on battery chargers or adapters before connecting them to the inverter. Do not connect battery chargers or adapters with warnings about using with inverters.

Package Contents

- AC Mobile Power Inverter
- User Guide

Product Features



1. 12V power plug
2. USB charging port
3. Cooling Fan
4. 120V AC outlet

Operating and Storage Tips

Operating Tips

The inverter should only be operated under the following conditions:

- Dry - Do not allow water or other liquids to come into contact with the inverter.

- Moderate Temperature - Ambient air temperature should be between 32°F - 104°F (0°C - 40°C). Keep the inverter out of direct sunlight.
- Free Air Flow - Keep the inverter's ventilation slots unobstructed to ensure air flow to the unit. Do not place any items on or over the inverter during operation. The unit will shut down if it overheats.

Storage Tips

- Proper storage temperature range is 32°F - 86°F (0°C - 30°C)
- Store and use the inverter in a cool and dry environment.
- Avoid exposing the inverter to heating elements, direct sunlight, or high humidity.

Specifications

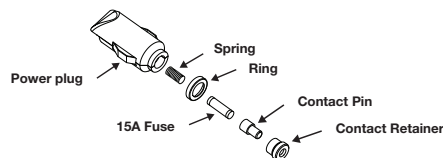
| | |
|-------------------------|--|
| Input Voltage | 10.5 to 15.5 volts |
| Output Peak Power | 160 Watts |
| Output Continuous Power | 100 Watts |
| Output Voltage | 120 Volts / USB 5 Volts |
| Output Frequency | 60 Hz |
| Output Waveform | Simulated Sine Wave |
| Protection Features | Low Voltage, Overheat, Overload, Short Circuit |

Troubleshooting

| Problem | Possible Cause | Suggested Solutions |
|--|--|---|
| No AC output power | Poor contact with DC power outlet. | Ensure the inverter is securely plugged into vehicle's DC power outlet. Replace the DC power outlet if necessary. |
| | Automotive electrical system requires ignition to be on. | Turn the vehicle ignition to the "Accessory" position. |
| | Car's DC power outlet fuse is blown. | Check the vehicle fuse panel and replace the damaged fuse. |
| | Over-heating. | Allow inverter to cool. Ensure that there is adequate ventilation around the unit and load does not exceed the unit's Continuous Power rating (see specifications). |
| Vehicle's battery voltage is below 10.5 volts. | | Unplug the inverter and start the vehicle to charge the battery. |
| | Vehicle's battery input voltage is higher than 15.5 volts. | Check your vehicle's user guide for troubleshooting. |
| | Inverter is overloaded. | Ensure load does not exceed the unit's Continuous Power rating (see specifications). |

Fuse Replacement

1. Unplug the inverter from the DC power outlet.
2. Replace the 15 amp fuse.
3. Reassemble unit by reversing the instructions above.



Limited Warranty

CyberPower warrants this CPS160PBU (the "Inverter") to be free from material and manufacturing defects for two years. If a defect results in product failure during its normal use, CyberPower's sole responsibility is to repair or replace (at its sole option) the Inverter.

The foregoing Limited Warranty is the consumer's sole and exclusive remedy and excludes any incidental or consequential damages. Some States do not allow the exclusion or limitation of incidental and consequential damages, so certain of the above limitations or exclusions may not apply to you (the Consumer). This limited warranty gives the Consumer specific legal rights and the Consumer may have other rights, which vary from State to State.

To make a Limited Warranty claim:

1. Pack and ship the Inverter to CyberPower at 4241 12th Avenue East, Suite 400, Shakopee, MN 55379.
2. Clearly indicate on the outside of the packaging that this is a "WARRANTY RETURN"
3. Clearly include your name and address (a) on the outside packaging and (b) on a sheet of paper enclosed in the box with the Inverter that is being returned.
4. You MUST prepay all shipping costs and you are responsible for packaging and shipment.

CAUTION: Any changes or modifications not expressly approved by the guarantee of this device could void the user's authority to operate the equipment.

Product Registration

Thank you for purchasing a CyberPower product. Prompt product registration entitles coverage under the Limited Warranty and Connected Equipment Guarantee, and also allows the opportunity to be notified of product enhancements, upgrades, and other announcements.

Registration is quick and easy at www.cpsww.com/register

Technical Support

Feel free to contact our Tech Support department with installation, troubleshooting, or general product questions.

CyberPower Technical Support
Phone: 1-877-297-6937
Email: tech@cpsww.com
Web: www.CPSww.com
Address: 4241 12th Ave. E., STE 400, Shakopee, MN 55379
Hours of Operation: Monday – Friday, 8:00am – 5:00pm (CST)

Legal notices (FCC Part 15)

This equipment has been tested and found to comply with the limits for a Class B Digital Device, pursuant to Part 15 of the FCC Rules. These limits are designed to provide reasonable protection against harmful interference in residential installation. This equipment generates, uses and can radiate radio frequency energy and, if not installed and used in accordance with the instructions, may cause harmful interference to radio communications. However, there is no guarantee that interference will not occur in a particular installation. If this equipment does cause harmful interference to radio or television reception, which can be determined by turning the equipment off and on, the user is encouraged to try to correct the interference by one or more of the following measures: (1) Reorient or relocate the receiving antenna. (2) Increase the separation between the equipment and receiver. (3) Connect the equipment into an outlet on a circuit different from that to which the receiver is connected. (4) Consult the dealer or an experienced radio/TV technician for help. Any special accessories needed for compliance must be specified in the instruction.

CAUTION: A shielded-type power cord is required in order to meet FCC emission limits and also to prevent interference to the nearby radio and television reception. It is essential that only the supplied power cord be used. Use only shielded cables to connect I/O devices to this equipment.

CyberPower Systems (USA), Inc.

4241 12th Avenue East, Suite 400, Shakopee, MN 55379
TEL: (952) 403-9500 Toll-Free: (877) 297-6937
FAX: (952) 403-0009 E-mail: sales@cpsww.com
CPSww.com

© 2014 CyberPower Systems, Inc.

All rights reserved. Reproduction in whole or in part without permission is prohibited.