

PIN OUT

7P/Housing		MD 9Pin Female
P1		P2
1	RED	1+2
2	BLACK	8+9
3	GREEN	3
4	GRAY	4
5	BROWN	5
6	BLUE	6
7	ORANGE	7

13	PE BAG	MEAS:200*150*0.04mm	1	
12	MINI TIE	PE/WHITE IN COLOR	1	
11	CABLE SPEC	CABLE SPEC DETAIL SEE CHART A	1	
10	MD 9PIN/F-DUST COVER	PET/TRANSPARENT IN COLOR	1	
9	MD 9PIN/F-OUTER MOLD	OUTER MOLDING,45P PVC,GRAY IN COLOR	1	
8	MD 9PIN/F-INNER MOLD	MOLDING PE/NATURAL IN COLOR	1	
7	MD 9PIN/F-SHELL	BRASS/NICKEL PLATED	1	
6	MD 9PIN/F-INSULATOR	P.B.T/BLACK IN COLOR	1	
5	MD 9PIN/F-CONTACT	BRASS/PIN NICKEL PLATED, SOLDER TYPE	9	
4	7P HOUSING/M-OUTER MOLD	MOLDING PVC/GRAY IN COLOR	1	
3	7P HOUSING/M-INNER MOLD	MOLDING PE/NATURAL IN COLOR	1	
2	7P HOUSING/M-INSULATOR	PBT/GRAY UL94V-0	1	
1	7P HOUSING/M-CONTACT	PHOSPHOR BRONZE/TIN PLATED;SOLDER TYPE	7	
NO.	PARTS NAME	STANDARD SPECIFICATION	Q'TY	SUPPLIER

MATERIAL LIST

⚠ DESCRIPTION  
7P HOUSING TO MD 9PIN FEMALE  
(MOLDING TYPE)



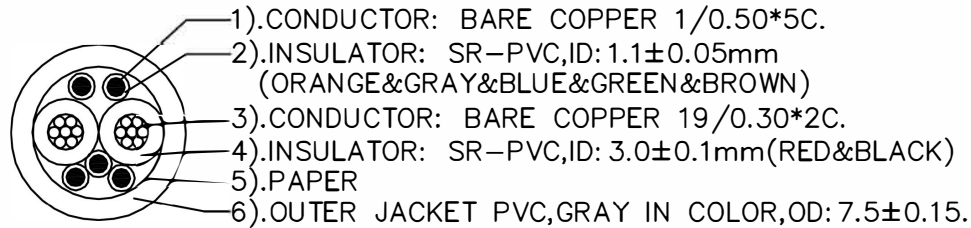
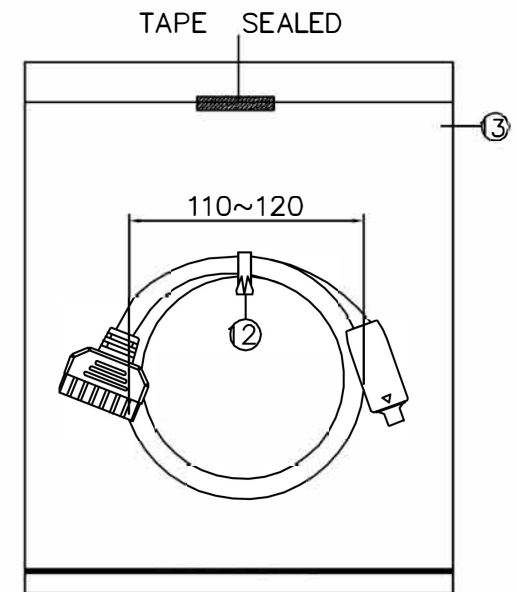


CHART A

**NOTES:**

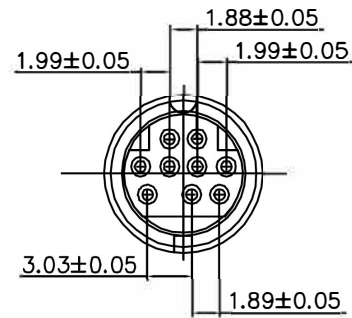
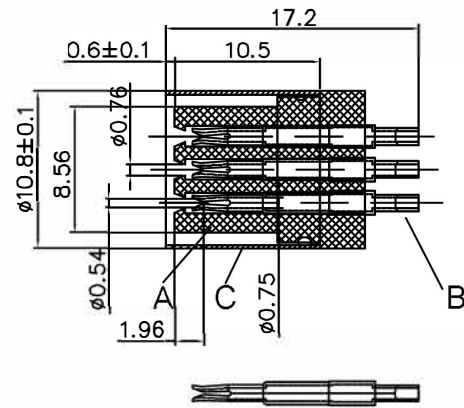
1. CABLE SPECIFICATION: UL2464 16AWG\*2C+24AWG\*5C.  
(19/0.30BC\*2C+1/0.50BC\*5C+PAPER)\*1C.  
OUTER JACKET PVC, GRAY IN COLOR, OD: 7.5±0.15.  
PRINT WORD: " E198848-D (UL) CMR - CMX 75°C 5Cx24AWG/2Cx16AWG E124763-D AWM  
2464 80°C 300V VW-1 CYBERPOWER".
2. ELECTRICAL TEST
  - <1>.100% OPEN SHORT & MISS WIRE TEST
  - <2>.INSULATION RESISTANCE: DC 400V 50M ohm MIN
  - <3>.CONDUCTOR RESISTANCE: 3 ohm MAX
3. INSERTION/PULL OUT TEST:
  - <1>.PLUG (INSERTION/PULLING FORCE)BY 14 POUNDS MORE.
4. PACKING: 1PC/PE BAG+WHITE CARTON.



1PC EACH BAG  
HANK CHART

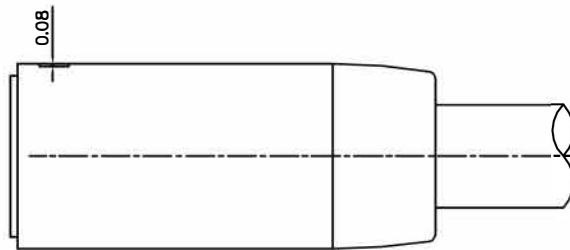
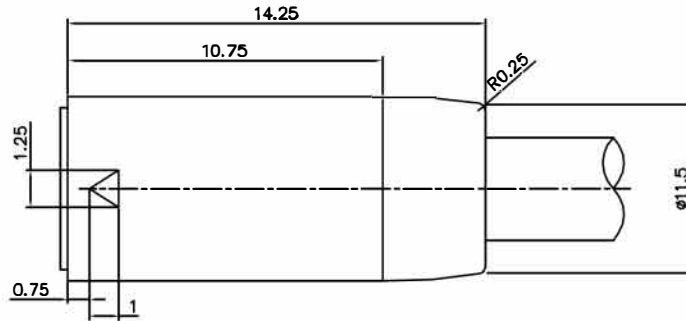
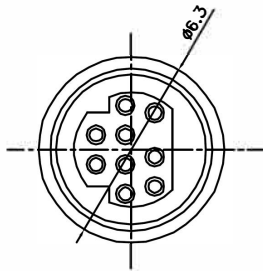
▲ <b>DESCRIPTION</b> 7P HOUSING TO MD 9PIN FEMALE (MOLDING TYPE)
---

**CyberPower®**



DESCRIPTION  
 7P HOUSING MALE  
 MOLDING TYPE

**CyberPower®**



TOLERANCE:

- X  $\pm 0.2$
- .X  $\pm 0.1$
- .XX  $\pm 0.05$

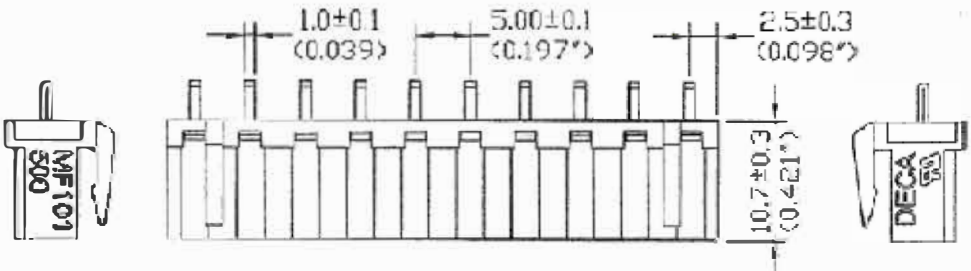
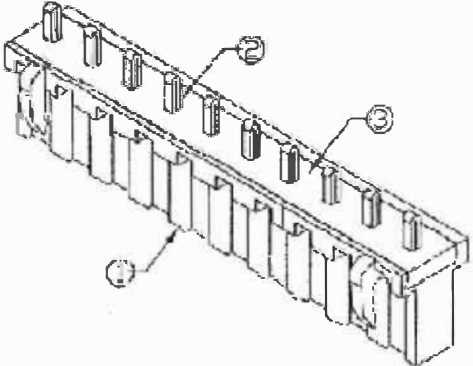
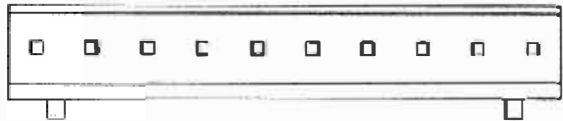
**DESCRIPTION**  
7P HOUSING MALE  
MOLDING TYPE

**CyberPower<sup>®</sup>**

# MF101-500□□EV

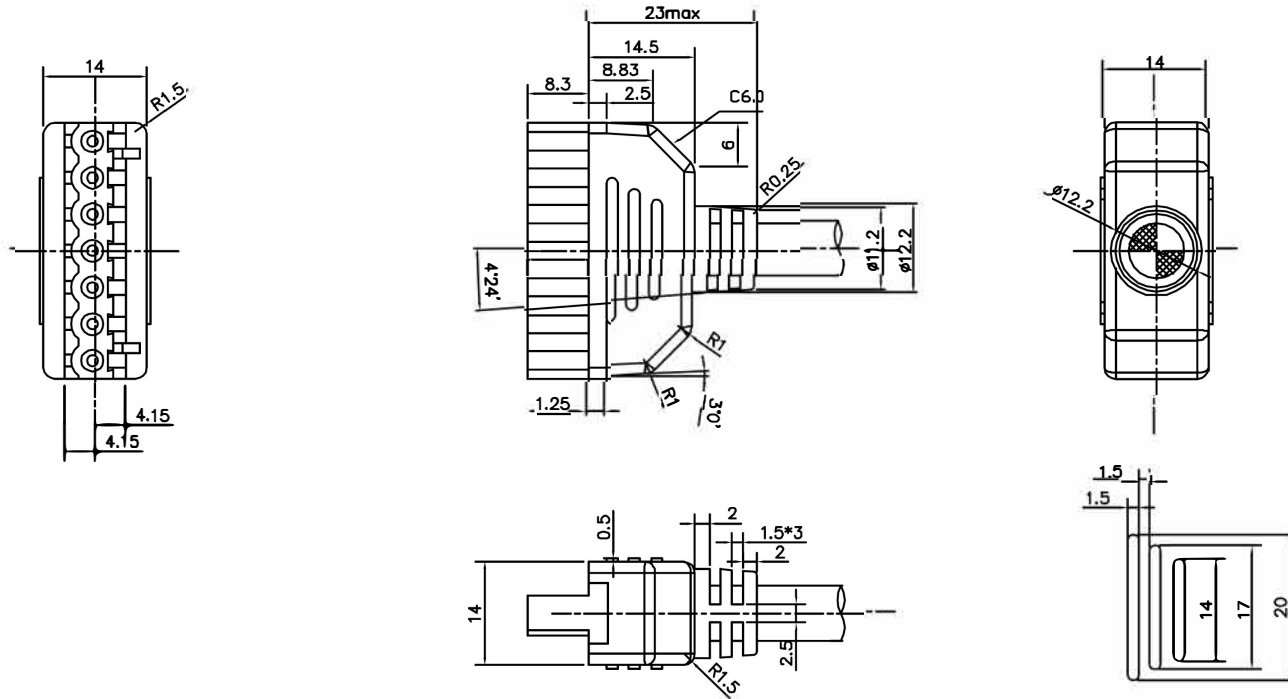


□□ : Poles  
500 : Pitch 5.00mm  
101 : Standard  
MF : Type



DESCRIPTION 7P HOUSING MALE
--------------------------------





TOLERANCE:  
 X ±0.2  
 .X ±0.1  
 .XX ±0.05

DESCRIPTION  
 7P HOUSING MALE  
 MOLDING TYPE

**CyberPower®**