

| Model | CyberPower PN | L±T | W±T |
|--------------------|-----------------|-----------|---------|
| CBL2BUL-004-BLK-CM | 1MB-0000045-00G | 1268±30 | 120~130 |
| CBL2BUL-006-BLK-CM | 1MB-0000046-00G | 1893±30 | 140~150 |
| CBL2BUL-010-BLK-CM | 1MB-0000047-00G | 3050±40 | |
| CBL2BUL-020-BLK-CM | 1MB-0000048-00G | 6100±75 | 160~170 |
| CBL2BUL-030-BLK-CM | 1MB-0000049-00G | 9150±100 | |
| CBL2BUL-050-BLK-CM | 1MB-0000050-00G | 15250±150 | |

PIN OUT

| MD 9P/M | MD 9P/M |
|---------|---------|
| P1 | P2 |
| 1+2 | 1+2 |
| 8+9 | 8+9 |
| 4 | 4 |
| 3+5+6+7 | 3+5+6+7 |

| NO. | MINI TIE | PE/BLACK IN COLOR | 8 |
|-----|----------------------|--------------------------------------|----|
| 7 | CABLE SPEC | CABLE SPEC DETAIL SEE CHART A | 2 |
| 6 | MD 9PIN/M-DUST COVER | PET/TRANSPARENT IN COLOR | 1 |
| 5 | MD 9PIN/M-OUTER MOLD | OUTER MOLDING PVC,BLACK IN COLOR | 2 |
| 4 | MD 9PIN/M-INNER MOLD | MOLDING PE/NATURAL IN COLOR | 2 |
| 3 | MD 9PIN/M-SHELL | BRASS/NICKEL PLATED | 2 |
| 2 | MD 9PIN/M-INSULATOR | P.B.T/BLACK IN COLOR | 2 |
| 1 | MD 9PIN/M-CONTACT | BRASS/PIN NICKEL PLATED, SOLDER TYPE | 18 |
| | PARTS NAME | STANDARD SPECIFICATION | |

MATERIAL LIST

CyberPower®

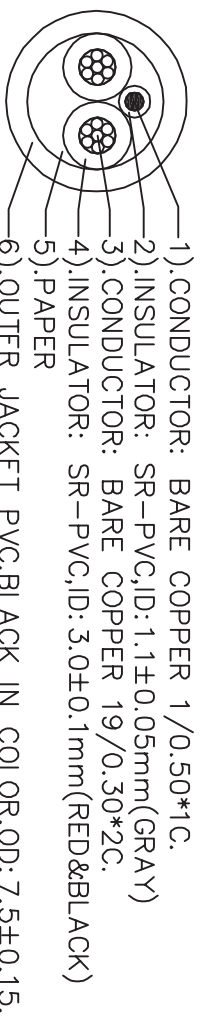


CHART A

NOTES:

1. CABLE SPECIFICATION: UL2464 16AWG*2C+24AWG*1C+P.
(19/0.30BC*2C+1/0.50BC*1C+PAPER)*1C.

OUTER JACKET PVC,BLACK IN COLOR,OD: 7.5±0.15.

PRINT WORD: " E198848-D (UL) CMX Outdoor - CMR 75 1Cx24AWG/2Cx16AWG
E124763-D AWM 2464 80 300V VW-1 CYBERPOWER".

2. ELECTRICAL TEST

<1>.100% OPEN SHORT & MISS WIRE TEST

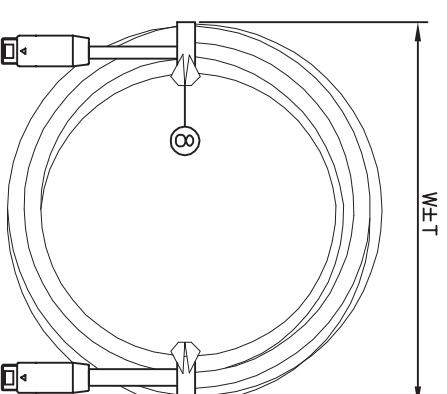
<2>.INSULATION RESISTANCE: DC 400V 50M ohm MIN

<3>.CONDUCTOR RESISTANCE: 3 ohm MAX

3. INSERTION/PULL OUT TEST:

<1>.PLUG (INSERTION/PULLING FORCE)BY 7.2±0.8KG

4.PACKING: 1PC/PE BAG+WHITE CARTON.



HANK CHART