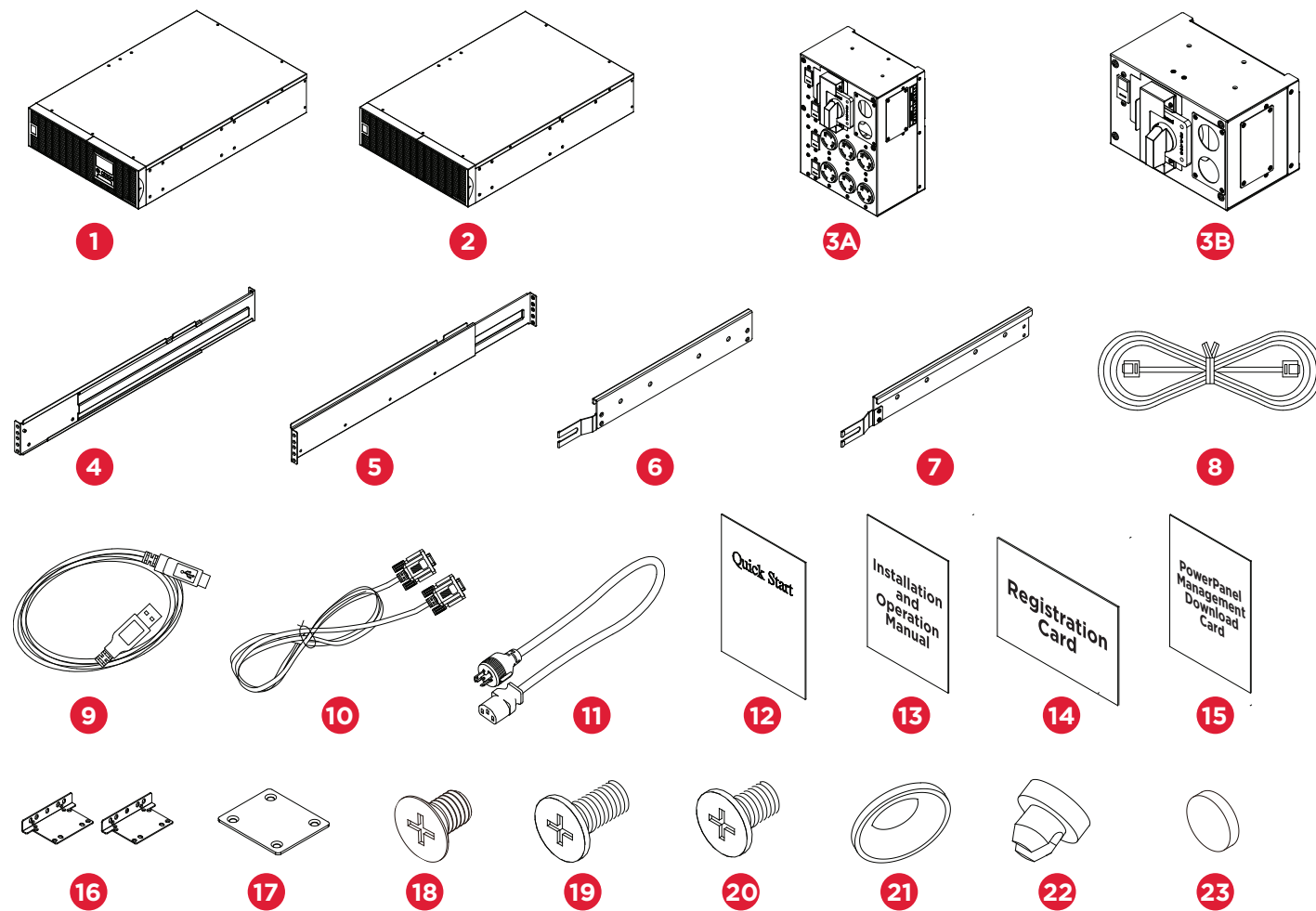


OL6KRTMB/OL8KRTMB/OL10KRTMB/ OL6KRTHW/OL8KRTHW/OL10KRTHW QUICK START GUIDE

UNPACKING



Note: Follow the Extended Battery Module (EBM) unpacking instructions label found on top of the EBM box.

ITEM	CONTENT	QTY	ITEM	CONTENT	QTY
1	Power Module	1	12	Quick Start Guide	1
2	Extended Battery Module (EBM)	1	13	Installation and Operation Manual	1
3A	6U Maintenance Bypass Switch Module for OL6KRTMB, OL8KRTMB and OL10KRTMB models	1	14	Registration Warranty Card	1
3B			3U Maintenance Bypass Switch Module for OL6KRTHW, OL8KRTHW and OL10KRTHW models	15	PowerPanel Management Software Download Card
4	Rackmount Left Rail	2	16	Rackmount Ears	4
5	Rackmount Right Rail	2	17	Tie Plate	1
6	Left Hanging Bracket	2	18	Flat Head Screws M5X7L	16
7	Right Hanging Bracket	2	19	Pan Head Screws M5X12L	24
8	Phone Cable	1	20	Pan Head Screws M5X6L	12
9	USB Communication Cable	1	21	Plastic Washers	16
10	Serial Interface Cable (RS-232)	1	22	Screw Hole Dust Covers	28
11	NEMA L6-30R to IEC-320-C13 Power Cord	1	23	Rubber Pads	24

Need Additional Help? See Operation and Installation Manual provided and also available to download at www.cyberpowersystems.com.
Still Need Help? Please contact our Tech Support department with installation, troubleshooting, or general product questions.

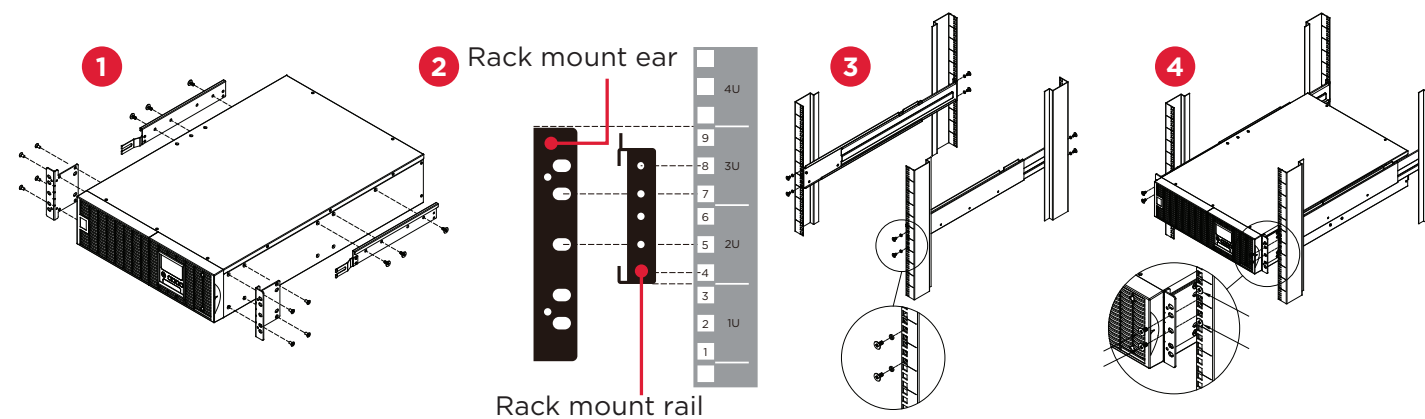
CyberPower Technical Support | 1-877-297-6937 | tech@cpsww.com | cyberpowersystems.com
4241 12th Avenue E, Suite 400, Shakopee, MN 55379, USA
Hours of Operation: Monday - Friday, 7:00am - 6:00pm (CST)

This document is believed to be accurate, but CyberPower reserves the right to change or correct the contents and does not assume any responsibility for omissions or errors. Entire contents copyright © 2018 CyberPower Systems, Inc. All rights reserved. Reproduction in whole or in part without permission is prohibited.

K01-0000756-00

RACKMOUNT INSTALLATION

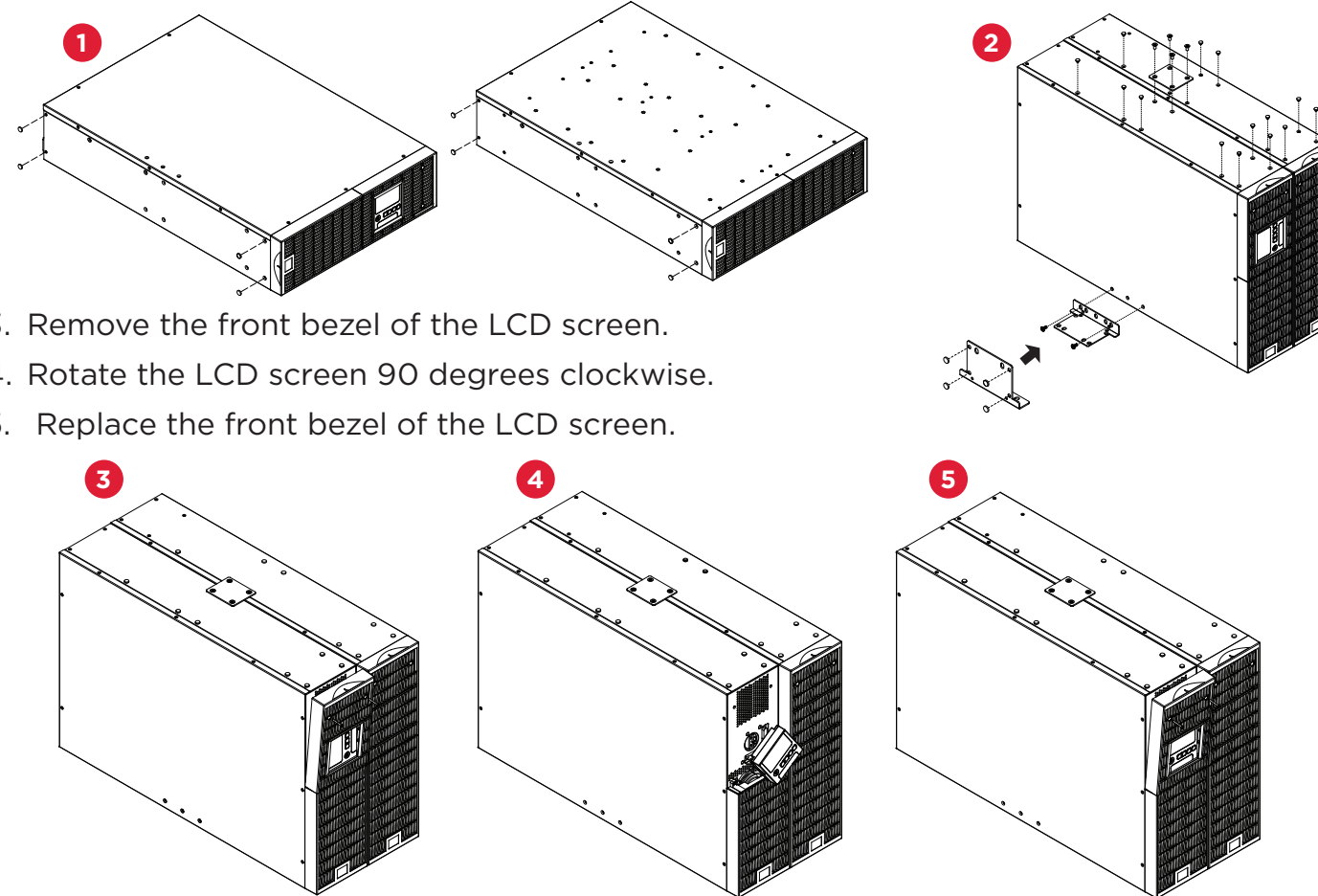
1. Install rack mount ears using eight M5X7L flat head screws and hanging brackets using six M5X6L pan head screws.
2. Locate space where the UPS will be installed in the rack.
3. Install rack mount rails using eight M5X12L pan head screws with plastic washers and adjust rails to necessary rack depth.
4. Place and secure the UPS on to the rack mount rails using four M5X12L pan head screws.



Note: Repeat these steps with the Extended Battery Module.

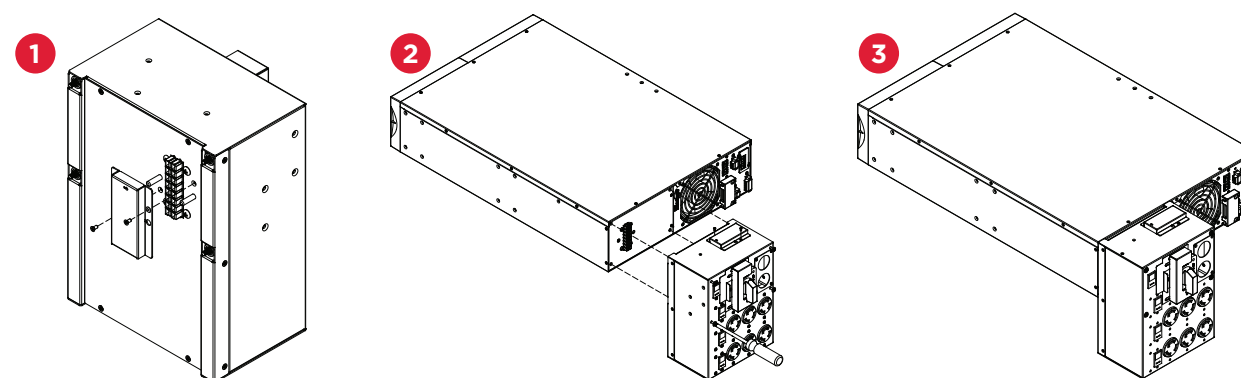
TOWER INSTALLATION

1. Adhere eight circular rubber pads to the left hand side of the UPS and Extended Battery Module. This will become the bottom of the UPS.
2. Rotate the UPS and Extended Battery Module 90 degrees to stand as a tower. Install dust covers on each module and secure the tie plate between the UPS and Extended Battery Module using four M5X7L flat head screws. Optionally adhere four circular rubber pads to each rack mount ear to use as tower stands and screw to the bottom of the UPS and EBM using four M5X6L pan head screws for added stability.



MAINTENANCE BYPASS SWITCH MODULE INSTALLATION

1. Remove the cover protecting the power connector.
2. Attach the Maintenance Bypass Switch Module to the Power Module. Ensure that the power connectors between the UPS and the Maintenance Bypass Switch Module align.
3. Secure the Maintenance Bypass Switch Module by screwing it to the Power Module.



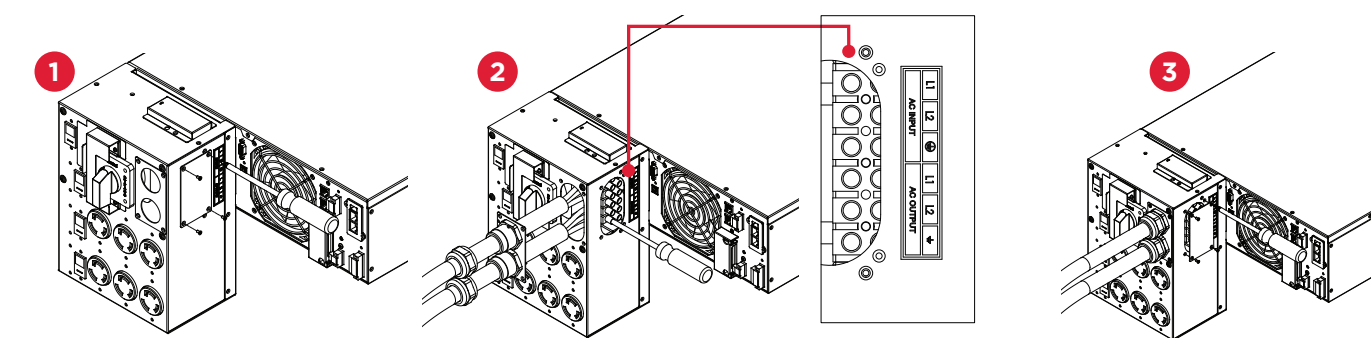
UPS INPUT ELECTRICAL CONNECTION

IMPORTANT! Make sure the utility circuit breaker feeding the UPS input is in the OFF position
IMPORTANT! Verify the input branch circuit breaker and wiring meet the recommended sizing:

UPS CAPACITY	BRANCH CIRCUIT BREAKER	WIRING AWG	WIRING MM ²
6KVA	40A	10 AWG	5.5 mm ²
8KVA	50A	8 AWG	8.0 mm ²
10KVA	70A	6 AWG	14.0 mm ²

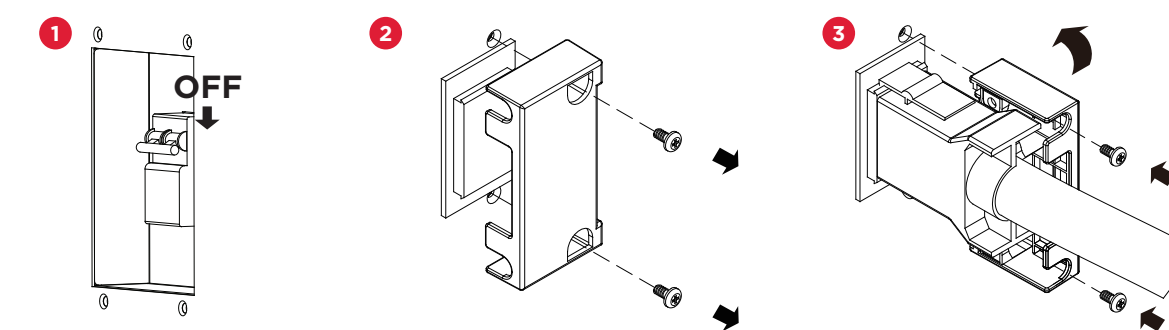
Note: For UPS installations requiring back feed protection please refer to the User Manual available to download on www.cyberpowersystems.com.

1. Remove the covers off the hardwire terminal block on the Maintenance Bypass Switch Module.
 2. Connect the input and output wiring to the hardwire terminal block. Use appropriately sized cable glands (not included) to secure wiring to the Maintenance Bypass Switch Module.
- IMPORTANT!** Ensure that the input and output wiring is securely terminated to the correct position.
3. Replace the covers on the hardwire terminal block on the Maintenance Bypass Switch Module.



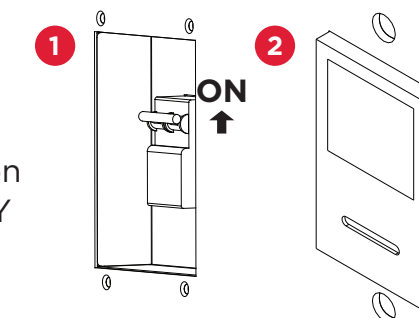
CONNECTING EXTENDED BATTERY MODULE TO UPS POWER MODULE

1. Make sure the Extended Battery Module (EBM) DC breaker is in the OFF position.
2. Remove the DC power input protective cover on the UPS.
3. Connect the Extended Battery Module connector to the UPS. Ensure it is seated properly (connector will click into place). Secure the connector to the UPS by rotating the protective cover over the EBM connector and screw it on to the UPS.



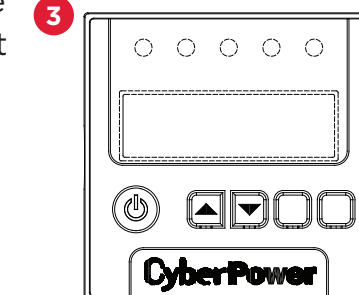
POWER ON THE UPS SYSTEM

1. Switch EBM DC breaker to the ON position.
2. Switch the utility circuit breaker feeding the UPS to the ON position.
3. Turn the UPS ON - push and hold the ON/OFF power button for 3 seconds; you will hear continuous beeps, the BATTERY ON yellow LED will first turn on for a couple of seconds followed by the ON-LINE green LED.



TO AVOID DAMAGE! The UPS should only be turned on or off when the Manual Bypass Switch (**MBS**) is set to **Normal** and the interlock bracket is secured to the right OR when the **MBS** is set to **Bypass** and the interlock bracket is set to the left.

4. Customize UPS system configuration settings as needed. See User's Manual for complete details. User Manual is available to download on www.cyberpowersystems.com.



5. Connect equipment load to the UPS system.