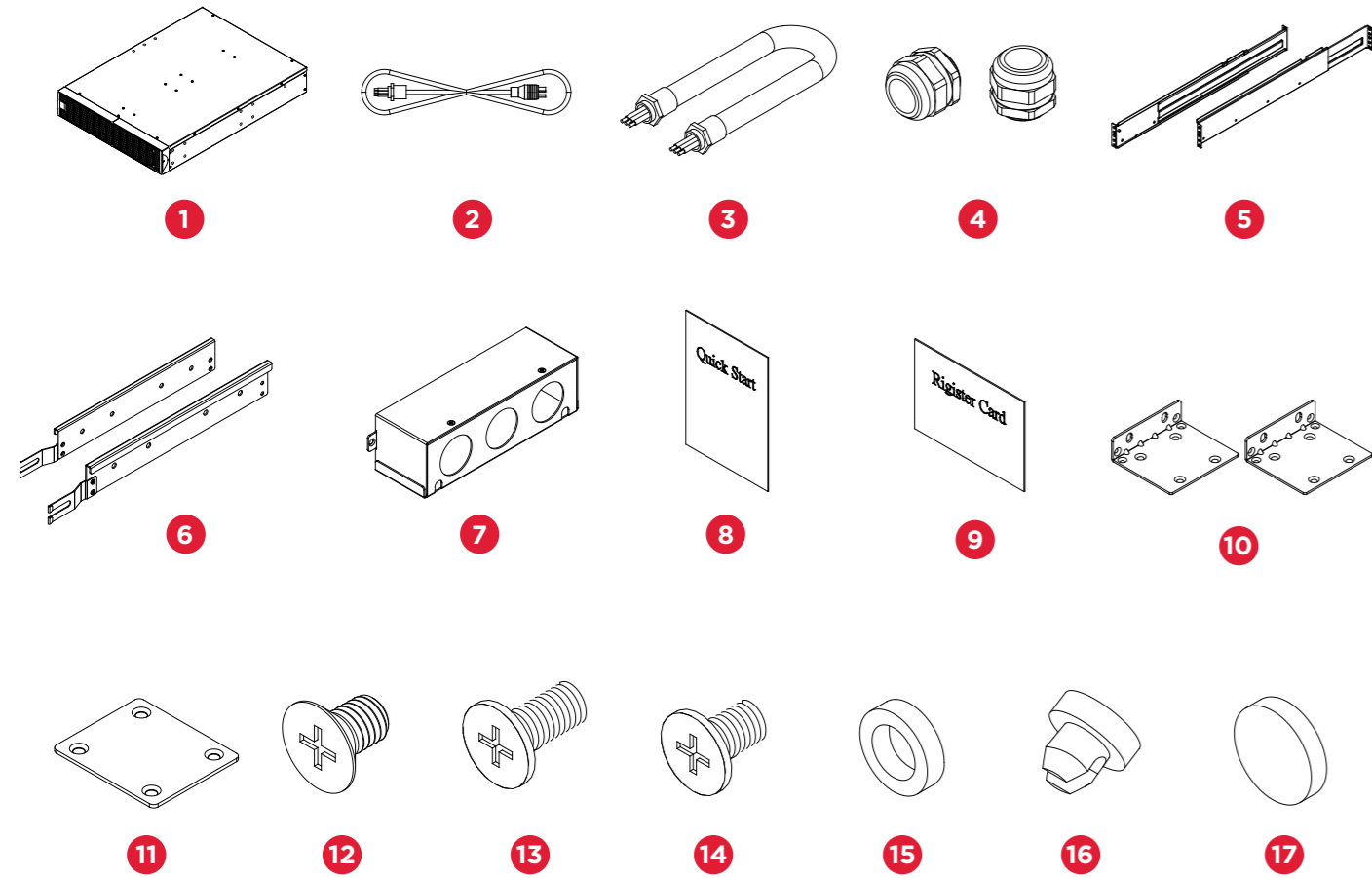


OL6KSTF/OL10KSTF QUICK START GUIDE

UNPACKING



ITEM	DESCRIPTION	QTY	ITEM	DESCRIPTION	QTY
1	OL6KSTF 2U 6,000 VA Step-down and Isolation Transformer OR OL10KSTF 2U 10,000 VA Step-down and Isolation Transformer	1	8	Quick Start Guide	1
2	6 ft NEMA L6-30 locking male plug to 3-wire ROJ (remove outer jacket) power cable (L630PHW6FT included with OL6KSTF)	1	9	Registration Card	1
3	3 ft 10/3 AWG conductor wire ROJ (remove outer jacket) with conduit (6AWGHW3FT included with OL10KSTF)	1	10	2U rack mount ears (tower stands)	1
4	Terminal block cable glands	2	11	Tower installation tie plate	1
5	Left & right rackmount rails	1	12	M5X7L black flat head screws	8
6	Left & right hanging brackets	1	13	M5X12L black pan head screws	12
7	Input/output terminal block cover	1	14	M5X6L silver pan head screws	6
			15	Plastic washers	8
			16	Screw hole dust covers	12
			17	Rubber pads	12

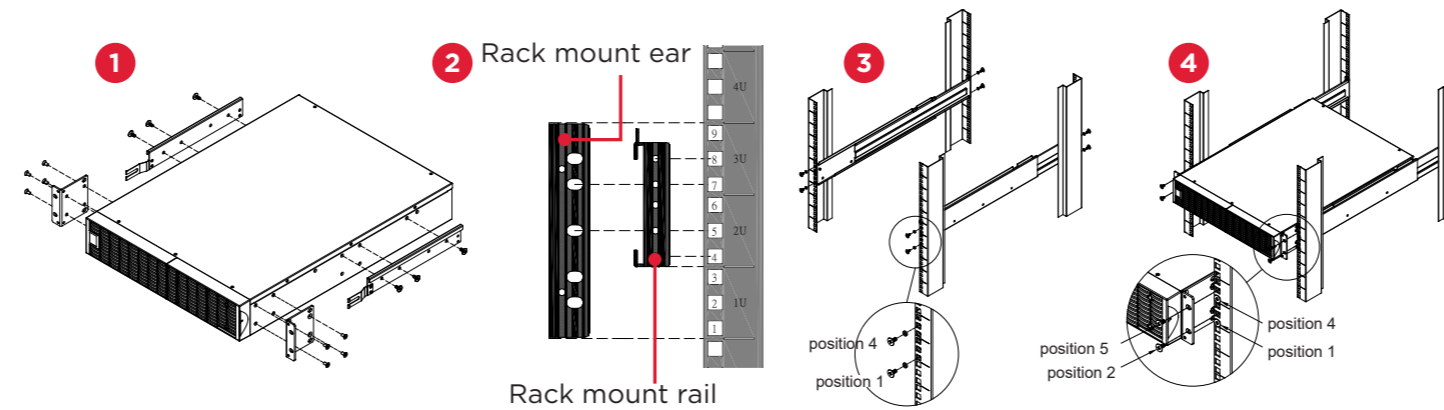
Need Additional Help? Feel free to contact our Technical Support department with installation, troubleshooting, or general product questions.

Cyber Power Systems (USA), Inc. Technical Support | 1-877-297-6937 | tech@cpsww.com | www.cyberpowersystems.com
4241 12th Avenue E, Suite 400, Shakopee, MN 55379, USA
Hours of Operation: Monday - Friday, 7:00am - 6:00pm (CST)

This document is believed to be accurate, but CyberPower reserves the right to change or correct the contents and does not assume any responsibility for omissions or errors. Entire contents copyright © 2018 Cyber Power Systems, Inc. All rights reserved. Reproduction in whole or in part without permission is prohibited. Reproduction in whole or in part without permission is prohibited.

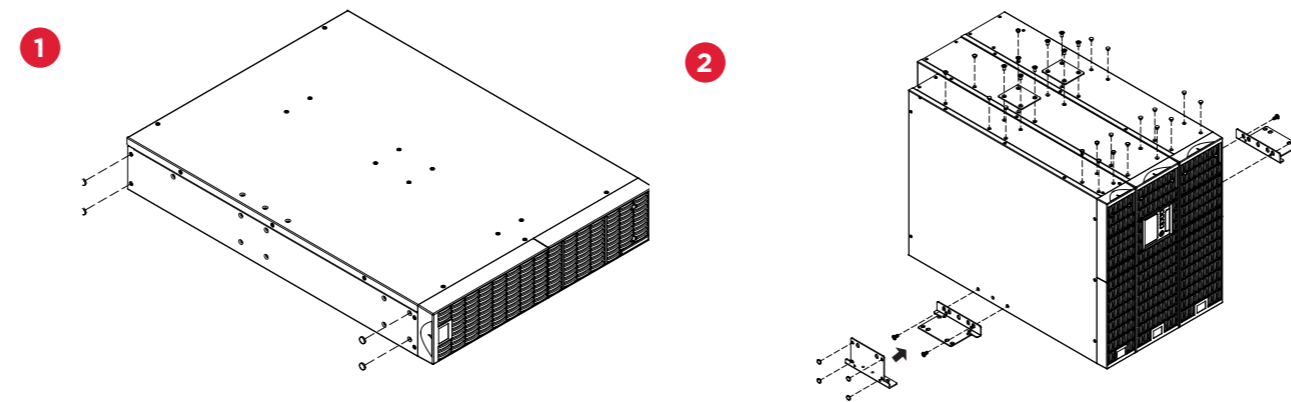
RACKMOUNT INSTALLATION

1. Install rack mount ears to the step-down transformer using eight black M5X7L flat head screws. Install hanging brackets using six silver M5X6L pan head screws.
2. Locate the space where the step-down transformer will be installed in the rack.
3. Install the rackmount rails using eight black M5X12L pan head screws with plastic washers and adjust the rails to the necessary rack depth.
4. Place the step-down transformer on to the rackmount rails. Make sure both left and right hanging brackets are securely on the rackmount rails. Secure the step-down transformer with the rack mount ears to the rack using four black M5X12L pan head screws.



TOWER INSTALLATION

1. Adhere four circular rubber pads to the left hand side of the step-down transformer. This will become the bottom side.
2. Stand the step-down transformer on its side with the rubber pads facing down. Install dust covers on open screw holes. If installing the step-down transformer together with a UPS and Extended Battery Module (EBM) secure the tie plate between the UPS, EBM and the step-down transformer using four black M5X7L flat head screws. Optionally adhere four circular rubber pads to each rack mount ear to use as tower stands and screw on to the extended battery module and the step-down transformer using four silver M5X6L pan head screws for added stability as shown below.



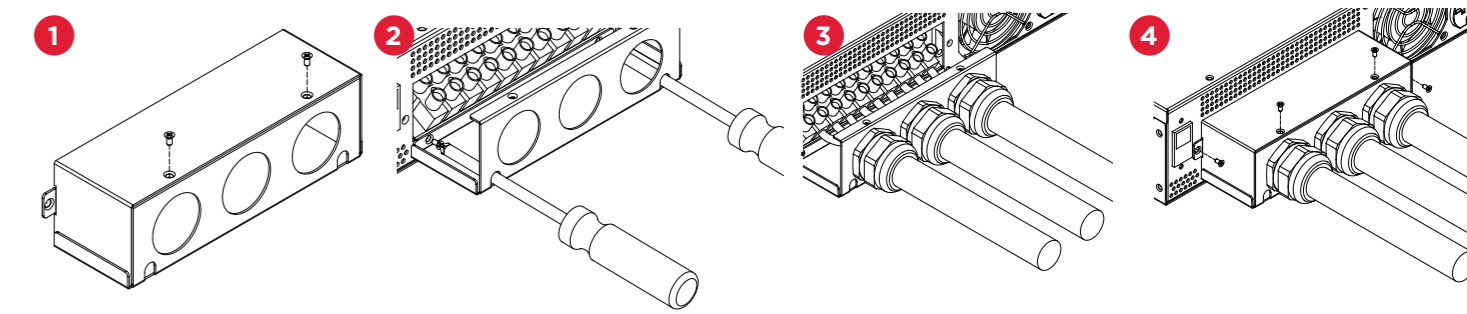
HARDWIRING THE INPUT / OUTPUT TERMINALS

IMPORTANT! Make sure the utility circuit breaker feeding the UPS input is in the OFF position and the UPS is OFF.
IMPORTANT! Make sure the Extended Battery Module (EBM) DC Breaker is in the OFF position and the UPS is OFF.
IMPORTANT! Verify the input wiring meets the recommended sizing:

STEP-DOWN AND ISOLATION TRANSFORMERS WITH HARDWIRE INPUT TERMINAL BLOCK	WIRING AWG	WIRING mm ²
OL6KSTF	10 AWG	5.5 mm ²
OL10KSTF	6 AWG	14.0 mm ²

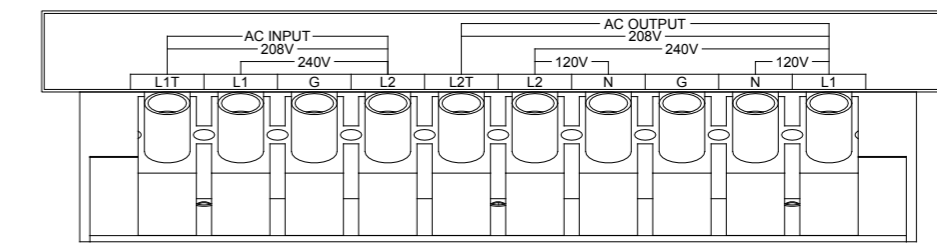
1. Locate the input/output terminal block cover and separate the top and bottom by loosening the two screws as shown below.
2. Screw the bottom cover on to the terminal block on the step-down transformer by tightening the two screws as shown below.
3. Install the input/output cable glands and power cable wiring to the hardwire terminal block as shown in the Terminal Block Identification and Terminal Block Configuration sections.
4. Screw the top cover on to the bottom cover by tightening four screws as shown below.

HARDWIRING THE INPUT / OUTPUT TERMINALS



IMPORTANT! Ensure that the input and output wiring is securely terminated to the correct position for the intended application.
IMPORTANT! See step-down transformer Terminal Block Configuration for wiring detail.

TERMINAL BLOCK IDENTIFICATION

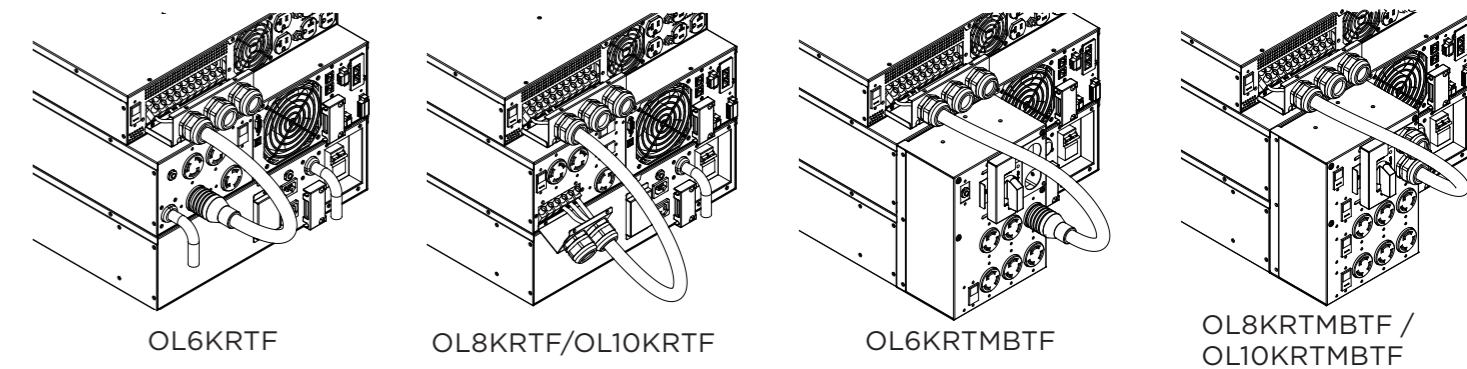


TERMINAL BLOCK CONFIGURATION

INPUT VOLTAGE	AC OUTPUT CONNECTION	OUTPUT VOLTAGE
L1 → L2 = 200 Vac	L1 → N ← L2	100 Vac → 0 ← 100 Vac
	L1 → L2	200 Vac
L1 → L2 = 220 Vac	L1 → N ← L2	110 Vac → 0 ← 110 Vac
	L1 → L2	220 Vac
L1 → L2 = 230 Vac	L1 → N ← L2	115 Vac → 0 ← 115 Vac
	L1 → L2	230 Vac
INPUT VOLTAGE	AC OUTPUT CONNECTION	OUTPUT VOLTAGE
L1T → L2 = 208 Vac	L1 → N ← L2	120 Vac → 0 ← 120 Vac
	L1 → L2	240 Vac
	L1 → L2T	208 Vac
INPUT VOLTAGE	AC OUTPUT CONNECTION	OUTPUT VOLTAGE
L1 → L2 = 240 Vac	L1 → N ← L2	120 Vac → 0 ← 120 Vac
	L1 → L2	240 Vac
	L1 → L2T	208 Vac

CONNECTING A STEP-DOWN TRANSFORMER TO A UPS POWER MODULE

The following illustrations provide the recommended connections between a step-down transformers and CyberPower UPS power module.



POWER ON THE UPS SYSTEM

1. Switch EBM DC breaker to the ON position.
2. Switch the utility circuit breaker feeding the UPS to the ON position.
3. Turn the UPS ON - push and hold the ON/OFF power button for 3 seconds; you will hear continuous beeps, the BATTERY ON yellow LED will first turn on for a couple of seconds followed by the ON-LINE green LED.
4. Customize UPS system configuration settings as needed. See User's Manual for complete details. User Manual is available to download on www.cyberpowersystems.com.
5. Connect equipment load to the UPS system.

